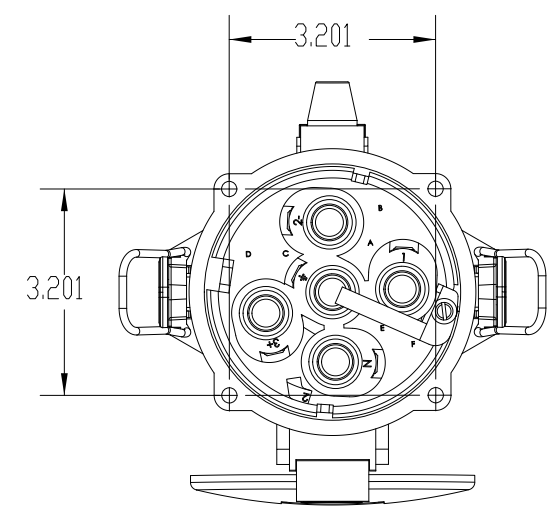
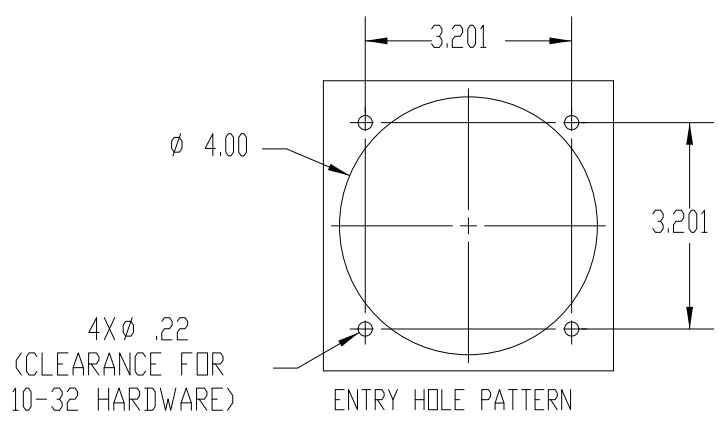
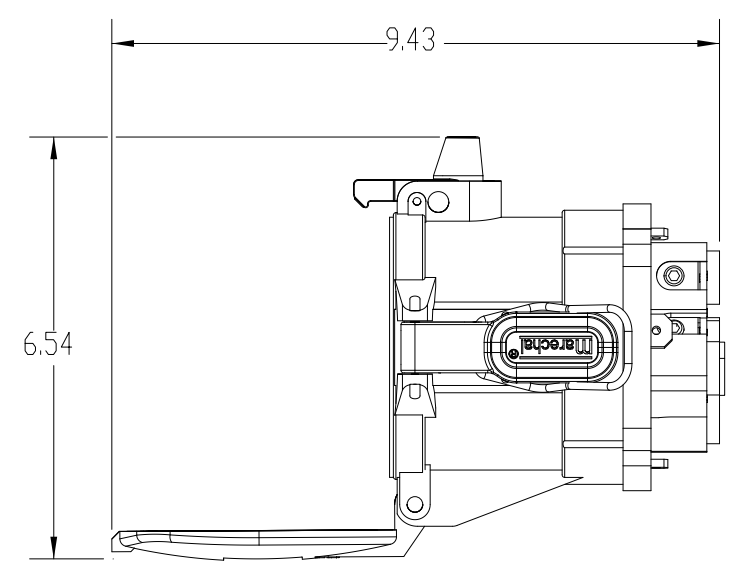
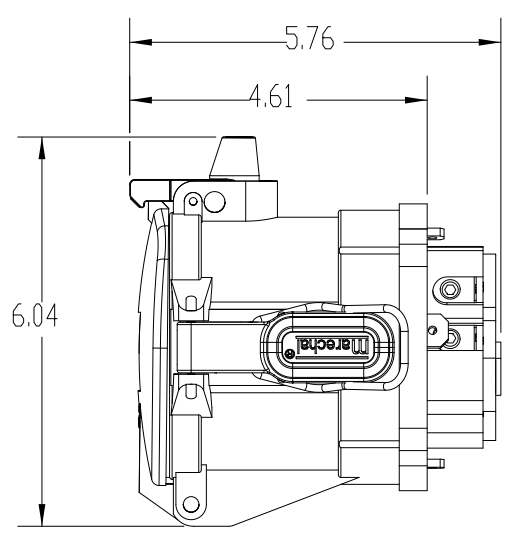
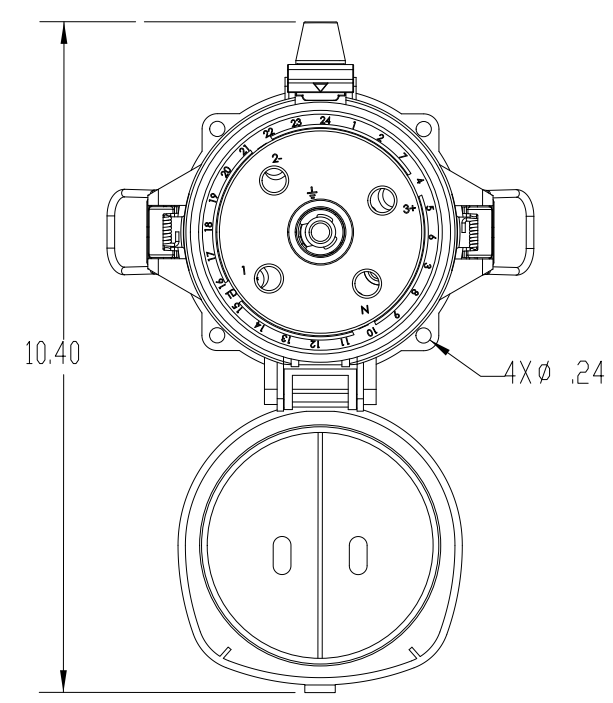


This drawing is the property of MELTRIC Corporation, Franklin (Milwaukee), Wisconsin, USA. Any unauthorized copying of this drawing by any means, or disclosure of its contents to any person not authorized by MELTRIC Corporation or its agents to receive it, is strictly prohibited.

G                      F                      E                      D                      C                      B                      A



CERTIFICATIONS:  
 CSA C22.2 No. 182.1-07  
 CSA C22.2 No. 213-M1987

TOLERANCES UNLESS OTHERWISE SPECIFIED		<b>MELTRIC</b> A COMPANY OF MARÉCHAL ÉLECTRIQUE	
MACHINED SURFACES	125 $\sqrt{\text{MAX}}$	ENGLISH	DRAWING TITLE: DSDC9 HAZARDOUS LOCATION RECEPTACLE, 130V, 100A
GROUND SURFACES	32 $\sqrt{\text{MAX}}$	0.X ±0.05	DATE:
ANGLE TOLERANCE	±1°	0.XX ±0.01	SCALE NTS
REMOVE BURRS & SHARP EDGES TO .015 MAX.		0.XXX ±0.005	MATERIAL: BLACK METAL CASING
DIMENSIONS SHOWN IN OVALS ARE INSPECTION DIMENSIONS.			SHEET: 1 OF 1
			PART NUMBER 36-94109-xxx-HAZ
			REVISION