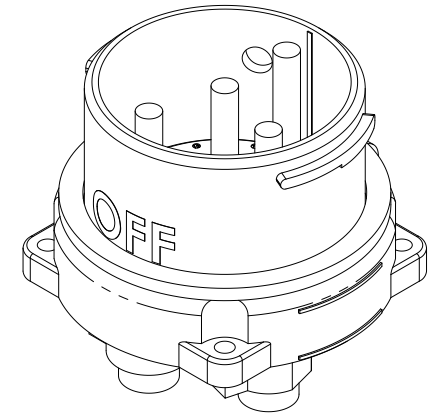
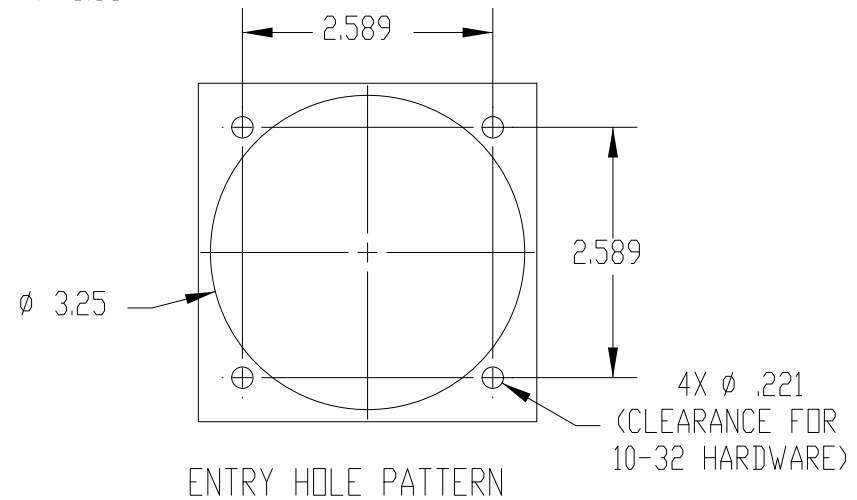
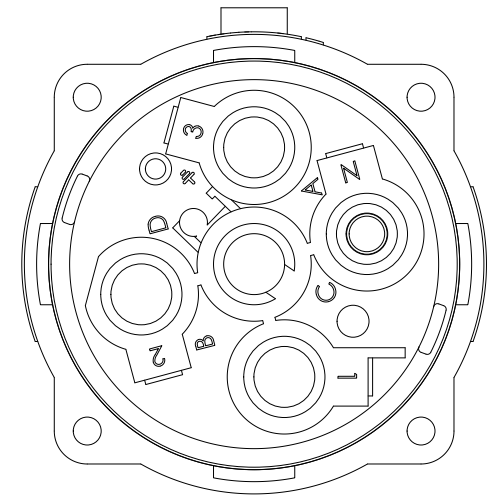
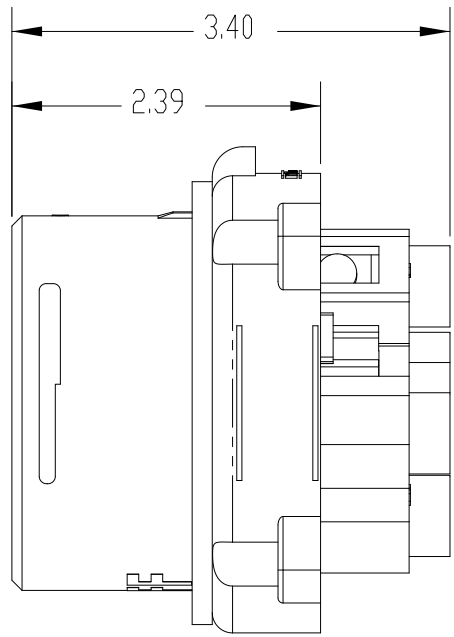
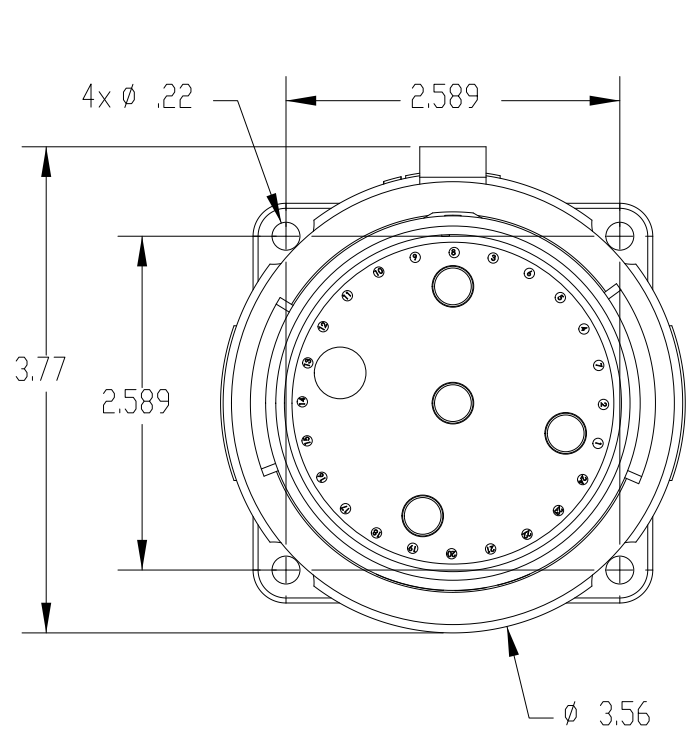


This drawing is the property of MELTRIC Corporation, Franklin (Milwaukee), Wisconsin, USA. Any unauthorized copying of this drawing by any means, or disclosure of its contents to any person not authorized by MELTRIC Corporation or its agents to receive it, is strictly prohibited.



CERTIFICATIONS:
 CSA C22.2 No. 182.1-07
 CSA C22.2 No. 213-M1987

ENTRY HOLE PATTERN

TOLERANCES UNLESS OTHERWISE SPECIFIED		 MELTRIC A COMPANY OF MARÉCHAL ÉLECTRIQUE	
MACHINED SURFACES	125 $\sqrt{\text{MAX}}$		
GROUND SURFACES	32 $\sqrt{\text{MAX}}$	0.X ±0.05	DRAWN
ANGLE TOLERANCE	±1°	0.XX ±0.01	APPROVED
REMOVE BURRS & SHARP EDGES TO .015 MAX.		0.XXX ±0.005	DATE:
DIMENSIONS SHOWN IN OVALS ARE INSPECTION DIMENSIONS.		DRAWING TITLE: DSDC6 HAZARDOUS LOCATION INLET, 250V, 60A	
		SCALE	MATERIAL:
		NTS	BLACK METAL CASING
		SHEET:	PART NUMBER
		1 OF 1	36-68209-xxx-HAZ
			REVISION