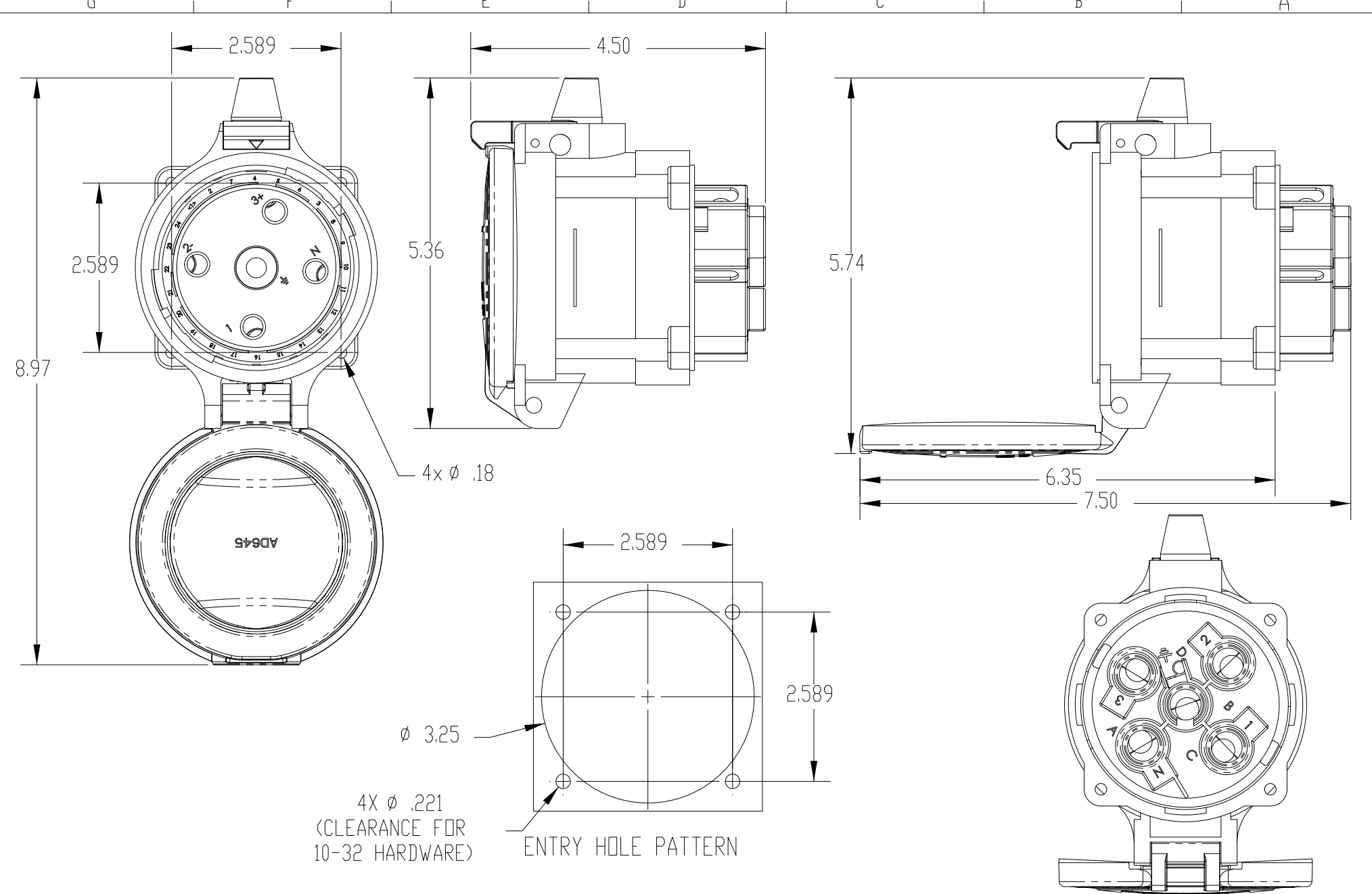


This drawing is the property of MELTRIC Corporation, Franklin (Milwaukee) Wisconsin, USA. Any unauthorized copying of this drawing by any means, or disclosure of its contents to any person not authorized by MELTRIC Corporation or its agents to receive it, is strictly prohibited.



CERTIFICATIONS:
 CSA C22.2 No. 182.1-07
 CSA C22.2 No. 213-M1987

TOLERANCES UNLESS OTHERWISE SPECIFIED	
MACHINED SURFACES	$\sqrt{125}$ MAX
GROUND SURFACES	$\sqrt{32}$ MAX
ANGLE TOLERANCE	$\pm 1^\circ$
REMOVE BURRS & SHARP EDGES TO .015 MAX.	
DIMENSIONS SHOWN IN OVALS ARE INSPECTION DIMENSIONS.	

ENGLISH
 0.X ± 0.05
 0.XX ± 0.01
 0.XXX ± 0.005

		DRAWING TITLE: DSDC6 HAZARDOUS LOCATION RECEPTACLE, 130V, 60A	
A COMPANY OF MARECHAL ELECTRIC	DRAWN: _____ APPROVED: _____	DATE: _____	SCALE: NTS MATERIAL: BLACK METAL CASING
SHEET: 1 OF 1	PART NUMBER: 36-64109-xxx-HAZ	REVISION: _____	_____