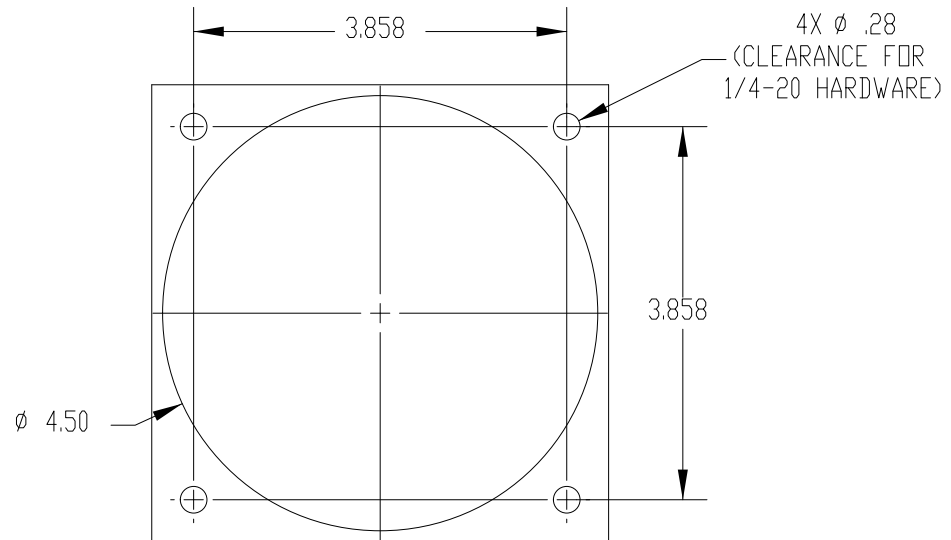
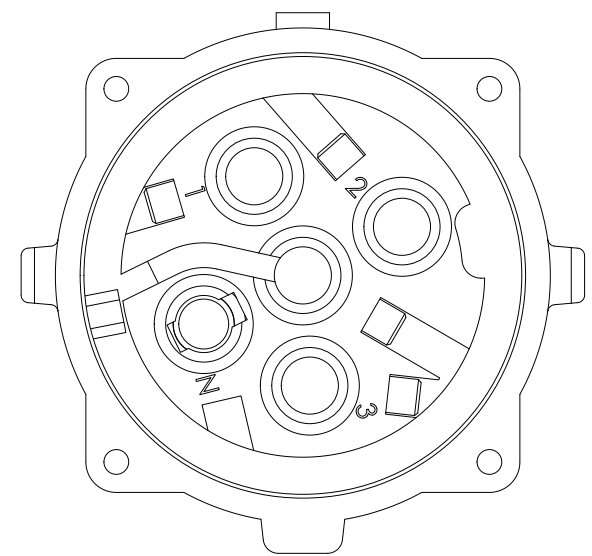
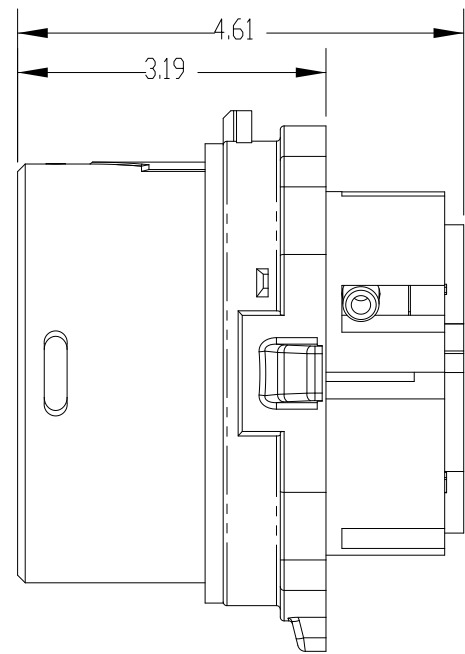
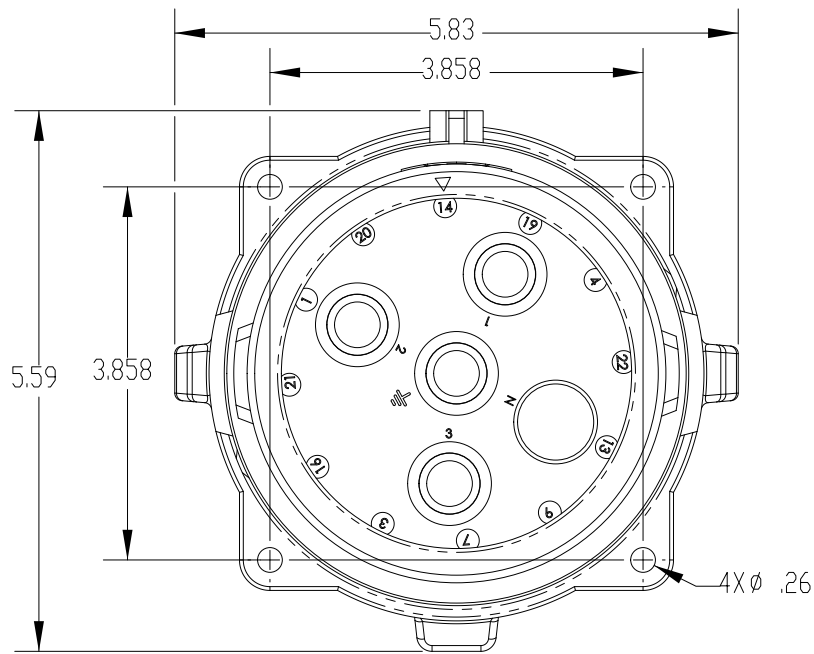
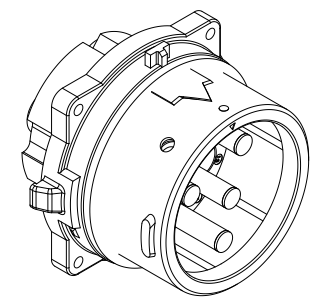


This drawing is the property of MELTRIC Corporation, Franklin (Milwaukee), Wisconsin, USA. Any unauthorized copying of this drawing by any means, or disclosure of its contents to any person not authorized by MELTRIC Corporation or its agents to receive it, is strictly prohibited.



ENTRY HOLE PATTERN



CERTIFICATIONS:
 CSA C22.2 No. 182.1-07
 CSA C22.2 No. 213-M1987

TOLERANCES UNLESS OTHERWISE SPECIFIED		 A COMPANY OF MARECHAL ELECTRIC	
MACHINED SURFACES	125 $\sqrt{\text{MAX}}$		
GROUND SURFACES	32 $\sqrt{\text{MAX}}$	0.X ± 0.05	DRAWN
ANGLE TOLERANCE	$\pm 1^\circ$	0.XX ± 0.01	APPROVED
REMOVE BURRS & SHARP EDGES TO .015 MAX.		0.XXX ± 0.005	DATE:
DIMENSIONS SHOWN IN OVALS ARE INSPECTION DIMENSIONS.		DRAWING TITLE: DSDC2 HAZARDOUS LOCATION INLET, 250V, 200A	
		SCALE NTS	MATERIAL: METAL CASING
		SHEET: 1 OF 1	PART NUMBER 36-28209-xxx-HAZ
			REVISION