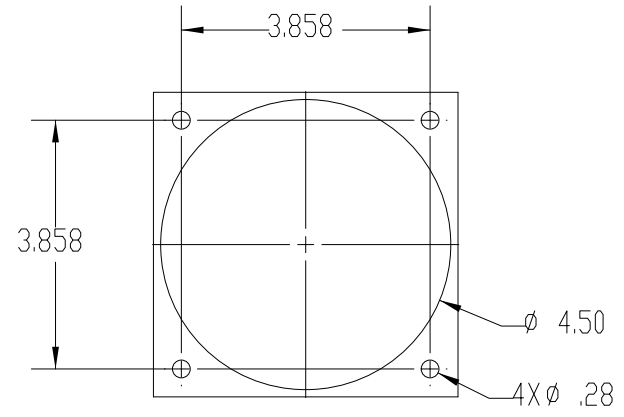
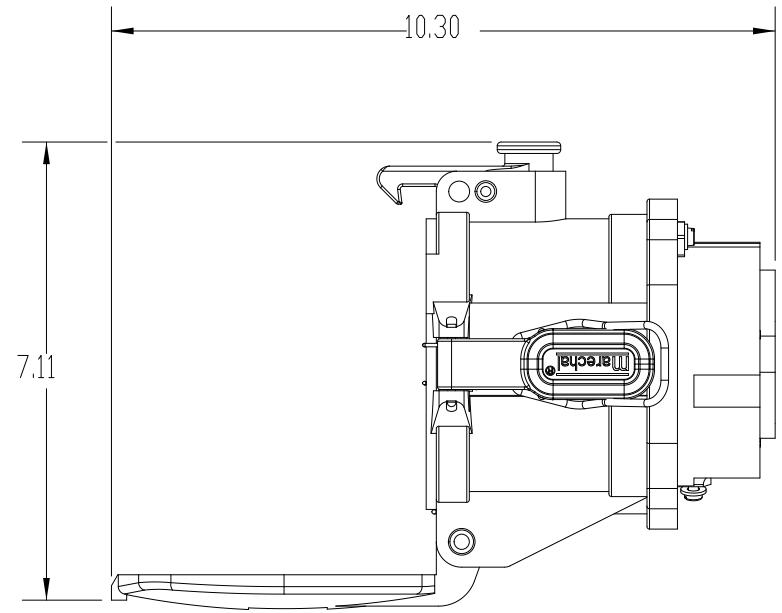
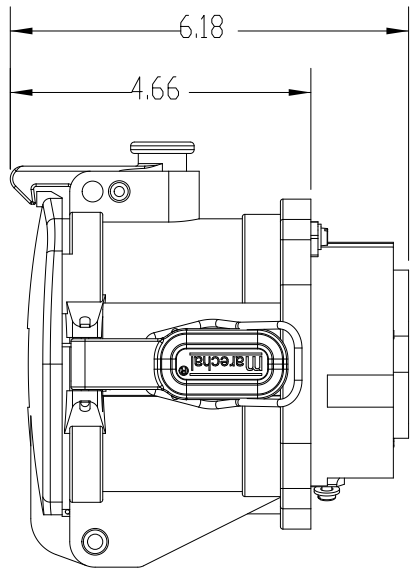
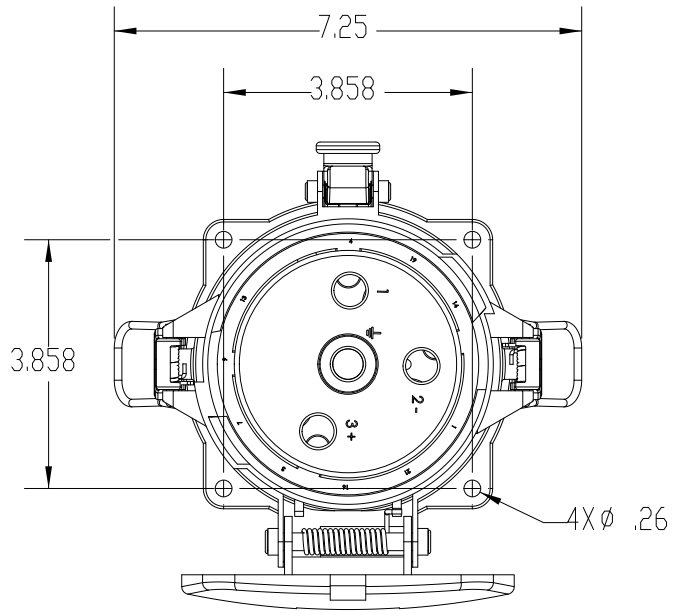
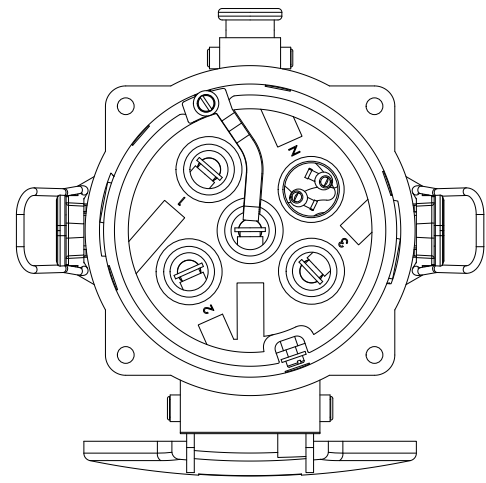




This drawing is the property of MELTRIC Corporation, Franklin (Milwaukee), Wisconsin, USA. Any unauthorized copying of this drawing by any means, or disclosure of its contents to any person not authorized by MELTRIC Corporation or its agents to receive it, is strictly prohibited.



ENTRY HOLE PATTERN



CERTIFICATIONS:
 CSA C22.2 No. 182.1-07
 CSA C22.2 No. 213-M1987

TOLERANCES UNLESS OTHERWISE SPECIFIED MACHINED SURFACES $125 \sqrt{\text{MAX}}$ GROUND SURFACES $32 \sqrt{\text{MAX}}$ ANGLE TOLERANCE $\pm 1^\circ$ REMOVE BURRS & SHARP EDGES TO .015 MAX.  DIMENSIONS SHOWN IN OVALS ARE INSPECTION DIMENSIONS.		ENGLISH 0.X ± 0.05 0.XX ± 0.01 0.XXX ± 0.005		 A COMPANY OF MARECHAL ELECTRIC	
DRAWN: _____ DATE: _____	APPROVED: _____ DATE: _____	DRAWING TITLE: DSDC2 HAZARDOUS LOCATION RECEPTACLE, 250V, 200A		SCALE: NTS MATERIAL: BLACK METAL CASING	
SHEET: 1 OF 1		PART NUMBER: 36-24209-xxx-HAZ		REVISION: _____	