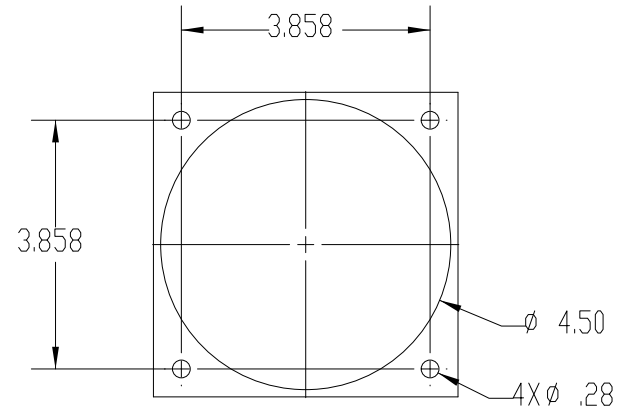
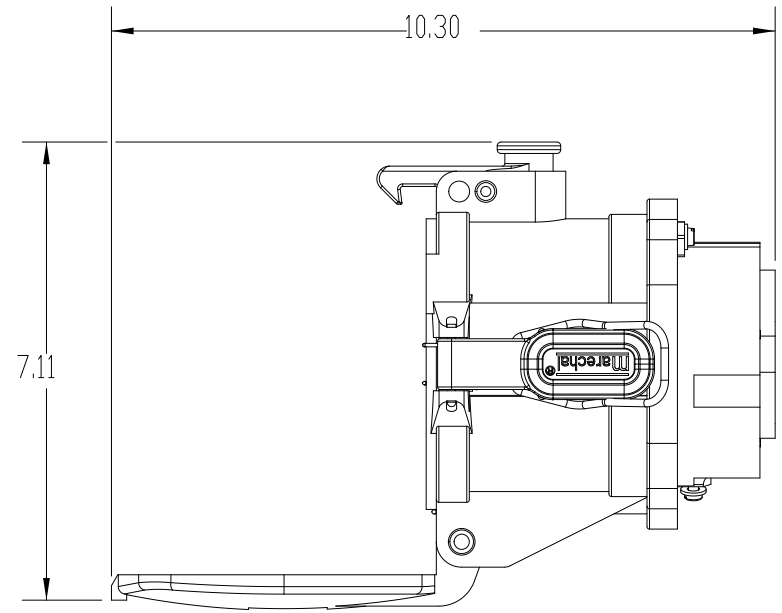
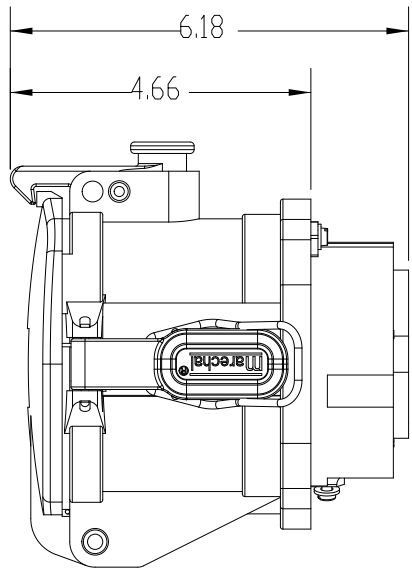
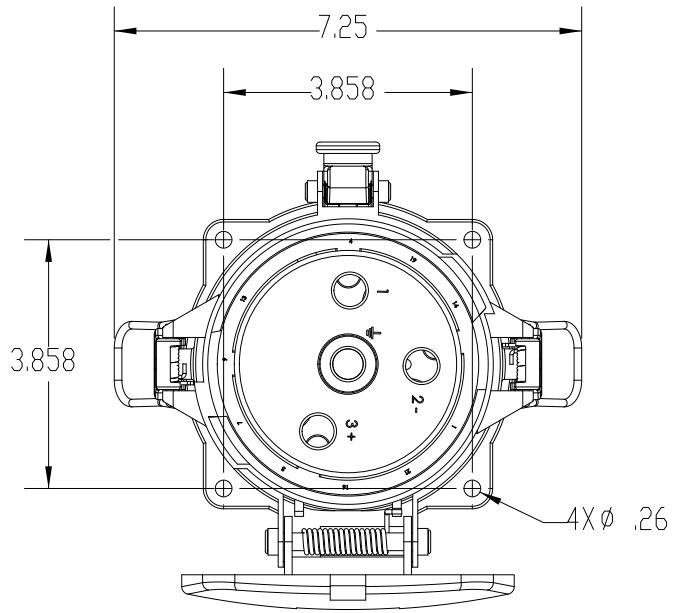
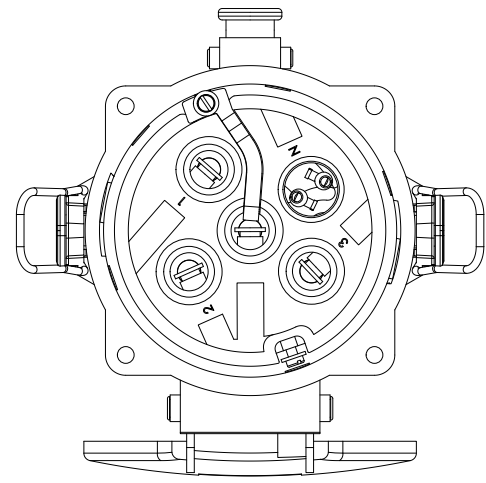




This drawing is the property of MELTRIC Corporation, Franklin (Milwaukee), Wisconsin, USA. Any unauthorized copying of this drawing by any means, or disclosure of its contents to any person not authorized by MELTRIC Corporation or its agents to receive it, is strictly prohibited.



ENTRY HOLE PATTERN



CERTIFICATIONS:
 CSA C22.2 No. 182.1-07
 CSA C22.2 No. 213-M1987

| | | | | | |
|--|--------------------------------|---|--|---|--|
| TOLERANCES UNLESS OTHERWISE SPECIFIED MACHINED SURFACES $125 \sqrt{\text{MAX}}$ GROUND SURFACES $32 \sqrt{\text{MAX}}$ ANGLE TOLERANCE $\pm 1^\circ$ REMOVE BURRS & SHARP EDGES TO .015 MAX.  DIMENSIONS SHOWN IN OVALS ARE INSPECTION DIMENSIONS. | | ENGLISH 0.X ± 0.05 0.XX ± 0.01 0.XXX ± 0.005 | |  A COMPANY OF MARECHAL ELECTRIC | |
| DRAWN: _____ DATE: _____ | APPROVED: _____ DATE: _____ | DRAWING TITLE: DSDC2 HAZARDOUS LOCATION RECEPTACLE, 130V, 200A | | MATERIAL: BLACK METAL CASING | |
| SHEET: 1 OF 1 | | SCALE: NTS | | PART NUMBER: 36-24109-xxx-HAZ | |
| | | | | REVISION | |