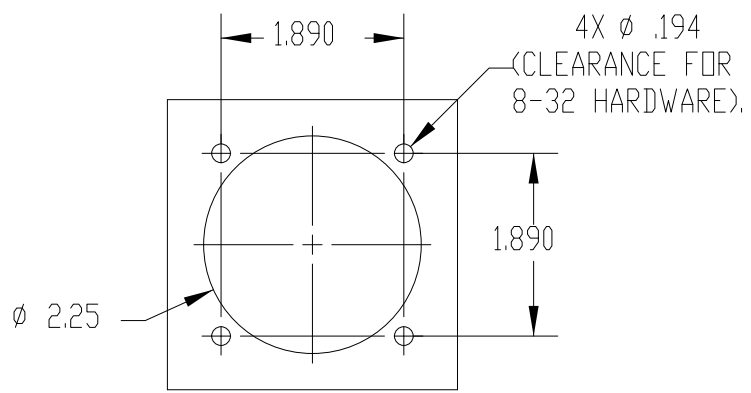
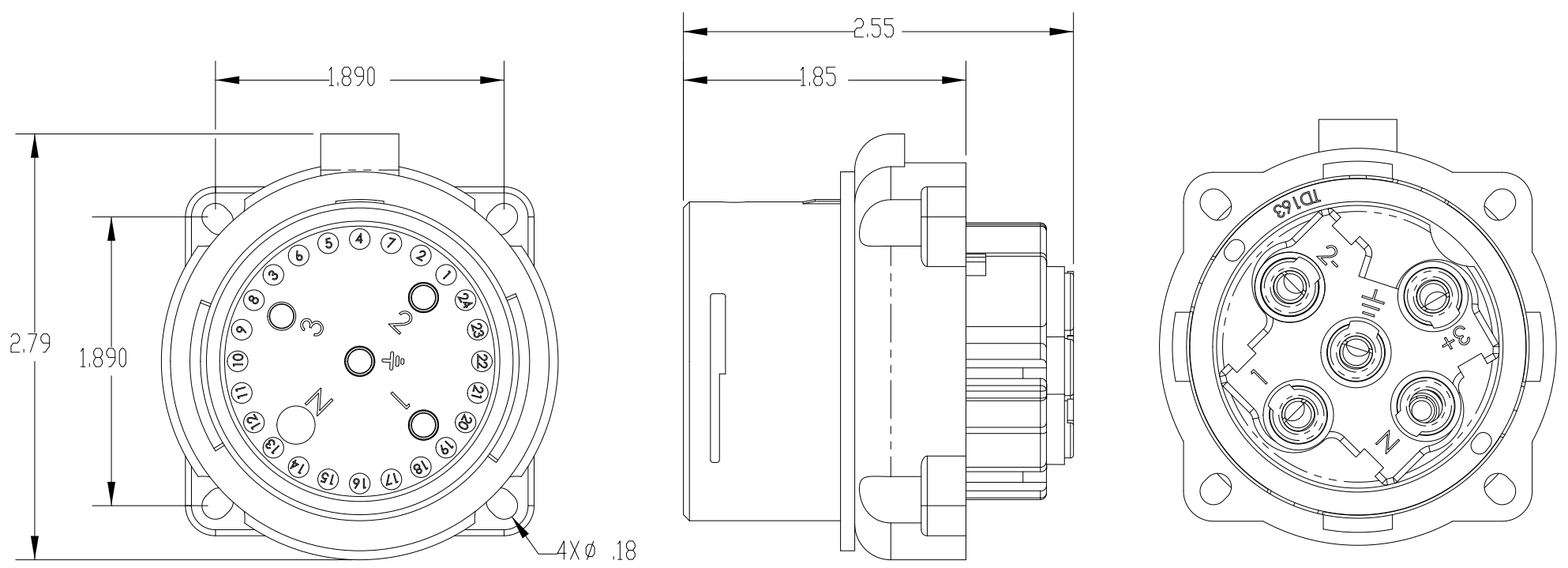




This drawing is the property of MELTRIC Corporation, Franklin (Milwaukee) Wisconsin, USA. Any unauthorized copying of this drawing by any means, or disclosure of its contents to any person not authorized by MELTRIC Corporation or its agents to receive it, is strictly prohibited.



CERTIFICATIONS:
 CSA C22.2 No. 182.1-07
 CSA C22.2 No. 213-M1987

ENTRY HOLE PATTERN

TOLERANCES UNLESS OTHERWISE SPECIFIED MACHINED SURFACES $125 \sqrt{\text{MAX}}$ GROUND SURFACES $32 \sqrt{\text{MAX}}$ ANGLE TOLERANCE $\pm 1^\circ$ REMOVE BURRS & SHARP EDGES TO .015 MAX.  DIMENSIONS SHOWN IN OVALS ARE INSPECTION DIMENSIONS.		ENGLISH 0.X ± 0.05 0.XX ± 0.01 0.XXX ± 0.005		 A COMPANY OF MARÉCHAL ÉLECTRIQUE	
DRAWN: _____ DATE: _____		APPROVED: _____ DATE: _____		DRAWING TITLE: DSDC1 HAZ LOCATION INLET, 250V, 20A	
SHEET: 1 OF 1		SCALE: _____		MATERIAL: BLACK POLY CASING	
		PART NUMBER 35-18209-xxx-HAZ		REVISION	