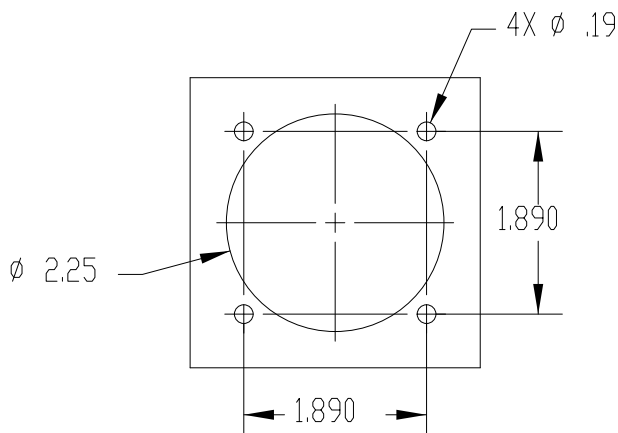
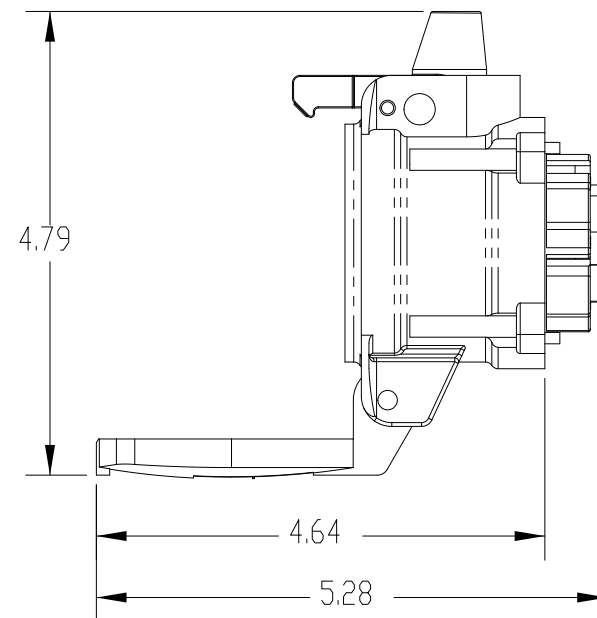
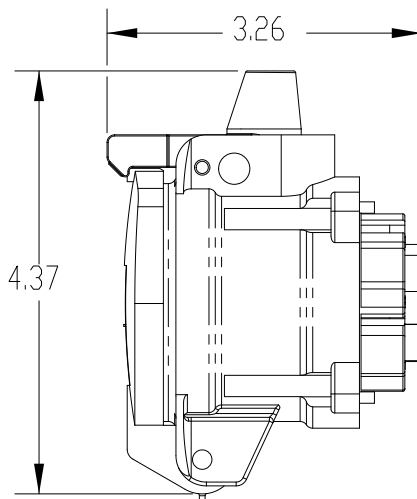
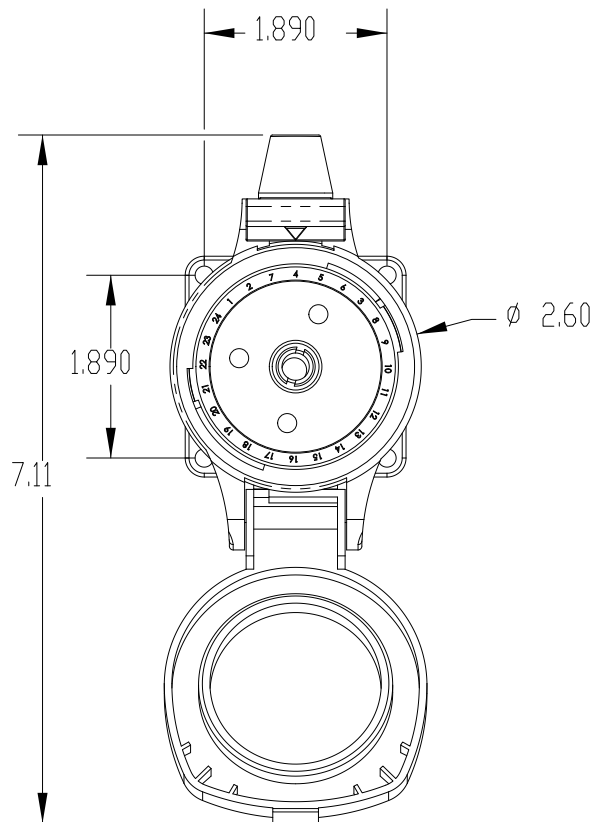
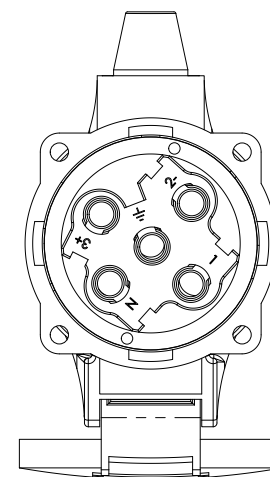


This drawing is the property of MELTRIC Corporation, Franklin (Milwaukee) Wisconsin, USA. Any unauthorized copying of this drawing by any means, or disclosure of its contents to any person not authorized by MELTRIC Corporation or its agents to receive it, is strictly prohibited.



ENTRY HOLE PATTERN



CERTIFICATIONS:
 CSA C22.2 No. 182.1-07
 CSA C22.2 No. 213-M1987

TOLERANCES UNLESS OTHERWISE SPECIFIED		MELTRIC A COMPANY OF MARÉCHAL ÉLECTRIQUE	
MACHINED SURFACES	125 $\sqrt{\text{MAX}}$	ENGLISH	DRAWING TITLE: DSDC1 HAZARDOUS LOCATION RECEPTACLE, 250V, 20A
GROUND SURFACES	32 $\sqrt{\text{MAX}}$	0.X ± 0.05	DATE:
ANGLE TOLERANCE	$\pm 1^\circ$	0.XX ± 0.01	SCALE NTS
REMOVE BURRS & SHARP EDGES TO .015 MAX.		0.XXX ± 0.005	MATERIAL: BLACK POLY CASING
DIMENSIONS SHOWN IN OVALS ARE INSPECTION DIMENSIONS.			PART NUMBER 35-14209-xxx-HAZ
		SHEET: 1 OF 1	REVISION