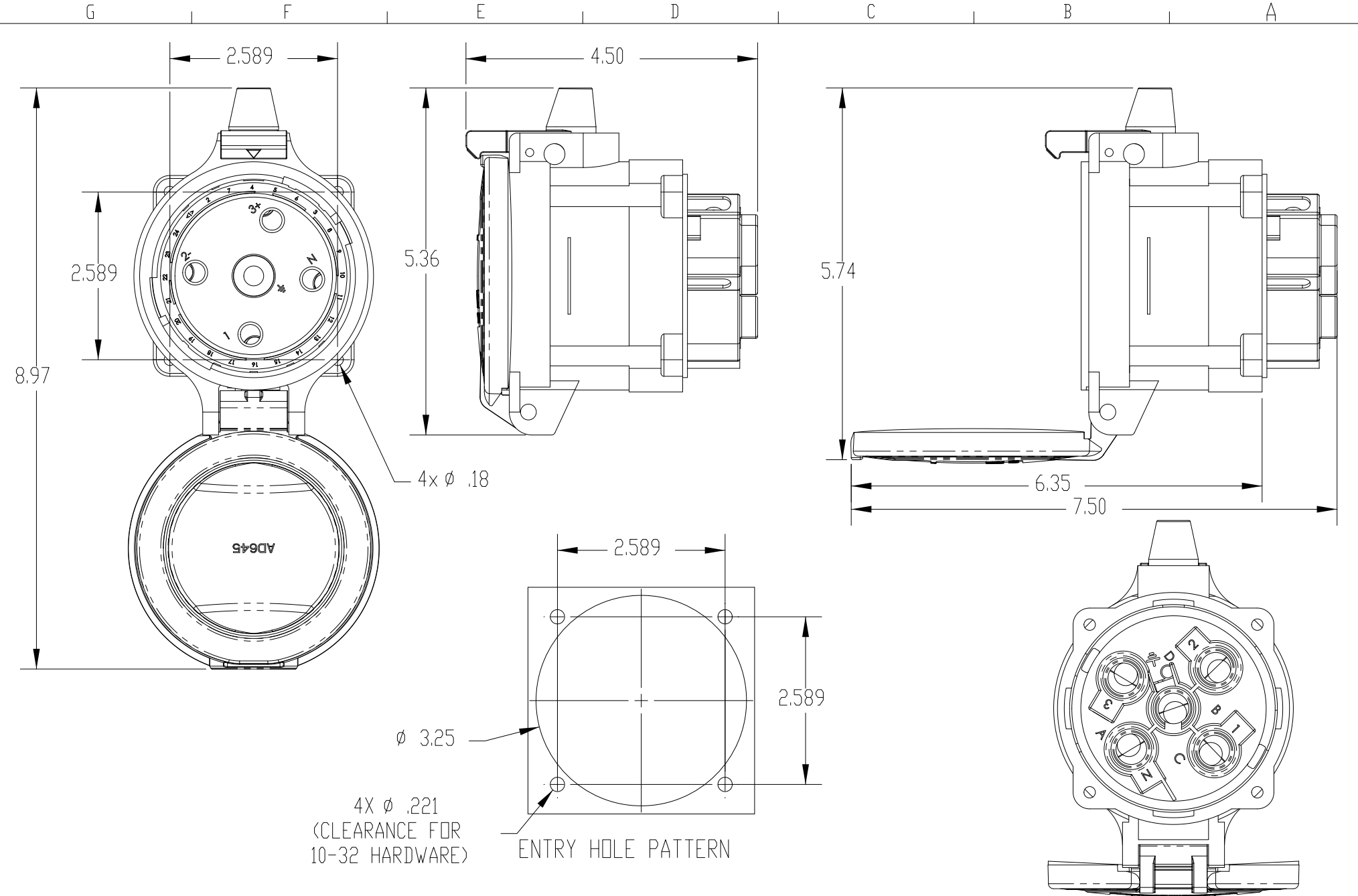




This drawing is the property of MELTRIC Corporation, Franklin (Milwaukee) Wisconsin, USA. Any unauthorized copying of this drawing by any means, or disclosure of its contents to any person not authorized by MELTRIC Corporation or its agents to receive it, is strictly prohibited.



HAZARDOUS RATINGS:
 CII Div2, Gr ABCD, T6
 CII Zone 2, IIC

TOLERANCES UNLESS OTHERWISE SPECIFIED	
MACHINED SURFACES	$\sqrt{125}$ MAX
GROUND SURFACES	$\sqrt{32}$ MAX
ANGLE TOLERANCE	$\pm 1^\circ$
REMOVE BURRS & SHARP EDGES TO .015 MAX.	
 DIMENSIONS SHOWN IN OVALS ARE INSPECTION DIMENSIONS.	
ENGLISH 0.X ± 0.05 0.XX ± 0.01 0.XXX ± 0.005	

 A COMPANY OF MARÉCHAL ELECTRIC		DRAWING TITLE:	
DRAWN	APPROVED	DS60	HAZARDOUS LOCATION RECEPTACLE
DATE:	SCALE	MATERIAL:	
	NTS	BLACK METAL CASING	
SHEET:	PART NUMBER		REVISION
1 OF 1	36-64xxx-xxx-HAZ		