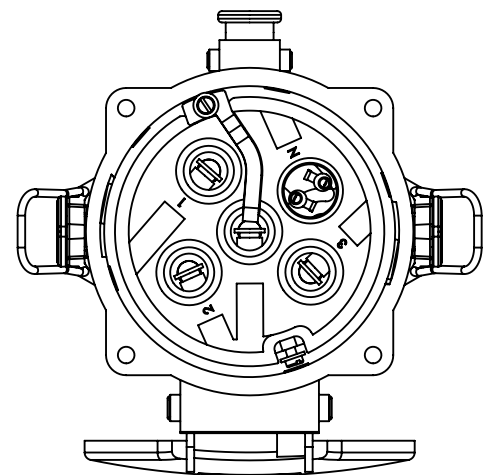
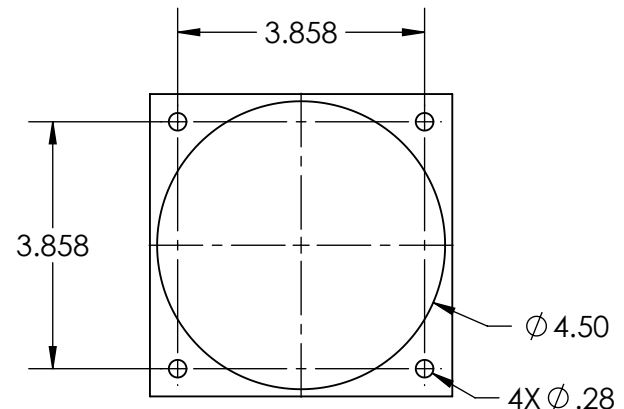
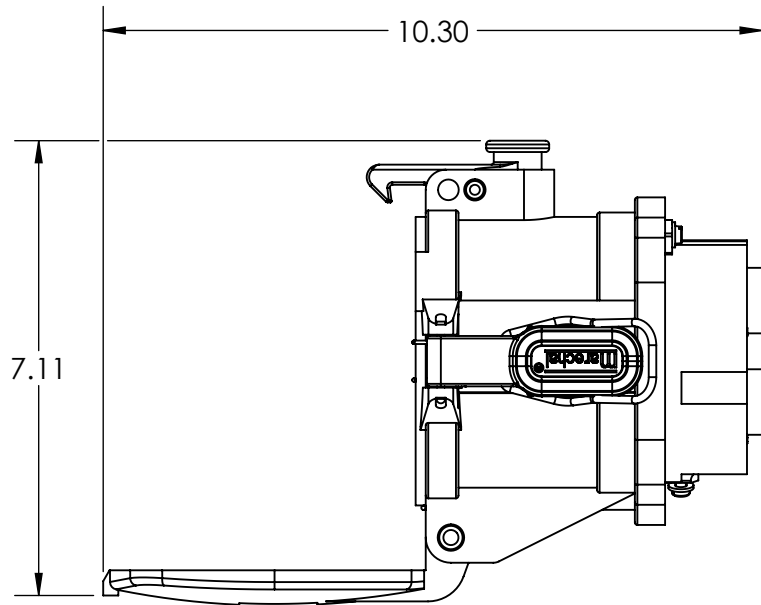
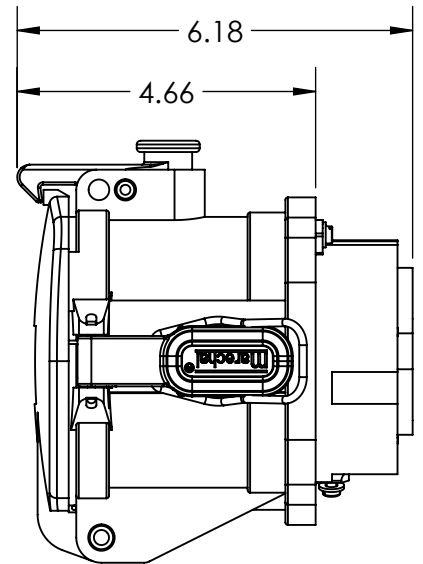
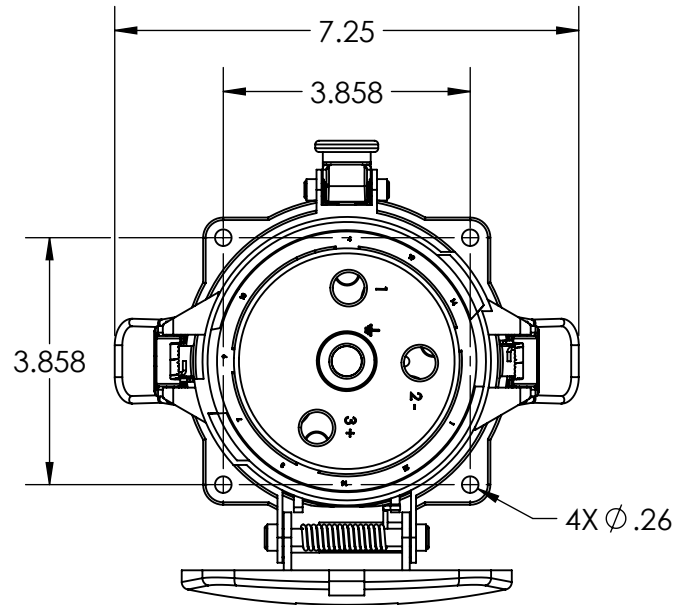


This drawing is the property of MELTRIC Corporation, Franklin (Milwaukee), Wisconsin, USA. Any unauthorized copying of this drawing by any means, ENGR/D/06 REV: 21 ISSUED DATE: 10/7/16 or disclosure of its contents to any person not authorized by MELTRIC Corporation or its agents to receive it, is strictly prohibited.



HAZARDOUS RATINGS:
 CII Div2, Gr ABCD, T6
 CII Zone 2, IIC

ENTRY HOLE PATTERN

TOLERANCES UNLESS OTHERWISE SPECIFIED	
MACHINED SURFACES $\sqrt[125]{\text{MAX}}$	ENGLISH 0.X ±0.05 0.XX ±0.01 0.XXX ±0.005
GROUND SURFACES $\sqrt[32]{\text{MAX}}$	
ANGLE TOLERANCE ±1°	
REMOVE BURRS & SHARP EDGES TO .015 MAX.	
DIMENSIONS SHOWN IN OVALS ARE INSPECTION DIMENSIONS.	

 A COMPANY OF MARÉCHAL ÉLECTRIC		DRAWING TITLE:	
		DS200 HAZARDOUS LOCATION RECEPTACLE	
DRAWN	APPROVED	SCALE	MATERIAL:
DATE:		NTS	BLACK METAL CASING
SHEET:	PART NUMBER		REVISION
1 OF 1	36-24xxx-xxx-HAZ		