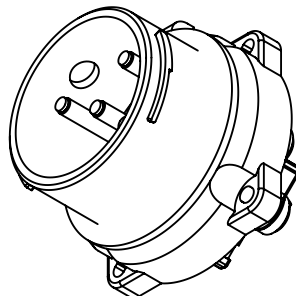
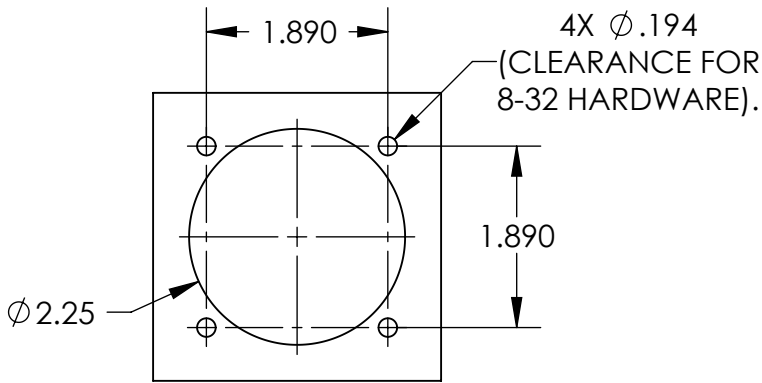
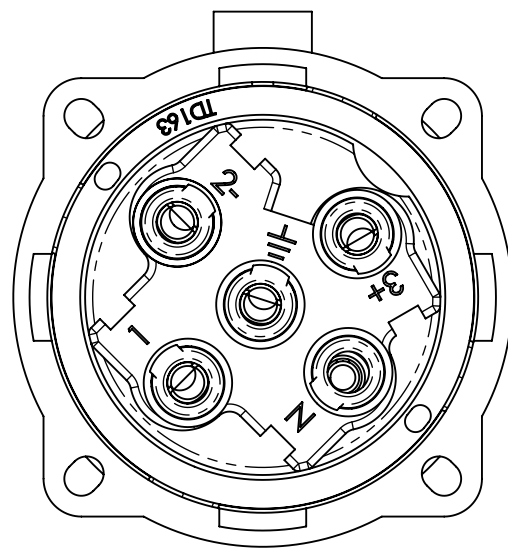
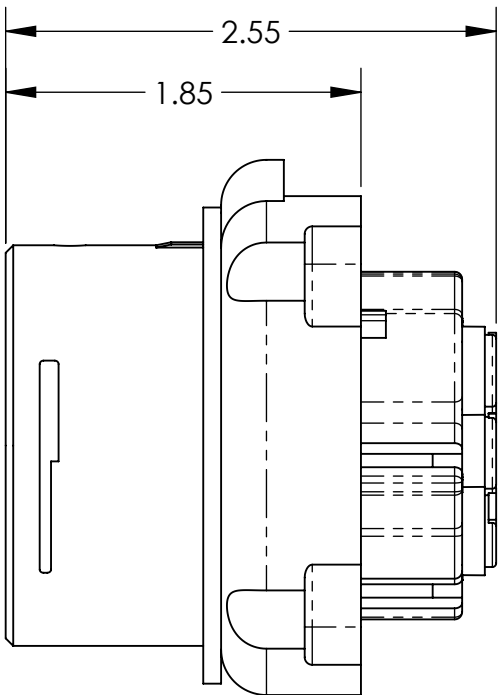
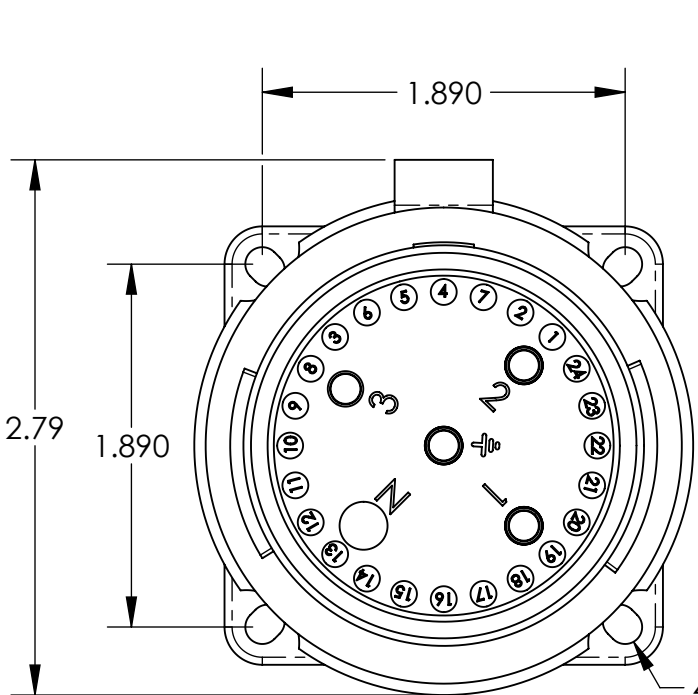


This drawing is the property of MELTRIC Corporation, Franklin (Milwaukee), Wisconsin, USA. Any unauthorized copying of this drawing by any means, ENG/RD/06 REV: 20 ISSUED DATE: 11/15/11 or disclosure of its contents to any person not authorized by MELTRIC Corporation or its agents to receive it, is strictly prohibited.



HAZARDOUS RATINGS:  
 C1I Div2, Gr ABCD, T6  
 C1I Zone 2, IIC

ENTRY HOLE PATTERN

TOLERANCES UNLESS OTHERWISE SPECIFIED		 A COMPANY OF MARÉCHAL ÉLECTRIC	
MACHINED SURFACES $\sqrt[125]{\text{MAX}}$	ENGLISH		
GROUND SURFACES $\sqrt[32]{\text{MAX}}$	0.X ±0.05	DRAWING TITLE: DS20 HAZ LOCATION INLET	
ANGLE TOLERANCE ±1°	0.XX ±0.01	DATE:	SCALE:
REMOVE BURRS & SHARP EDGES TO .015 MAX.	0.XXX ±0.005	MATERIAL: BLACK POLY CASING	
DIMENSIONS SHOWN IN OVALS ARE INSPECTION DIMENSIONS.	SHEET:	PART NUMBER	
	1 OF 1	35-18xxx-xxx-HAZ	
		REVISION	