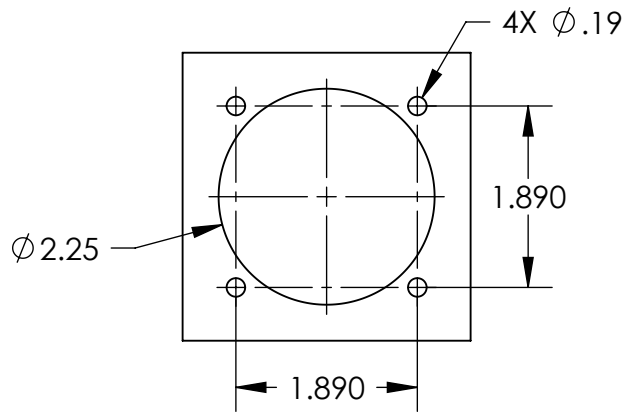
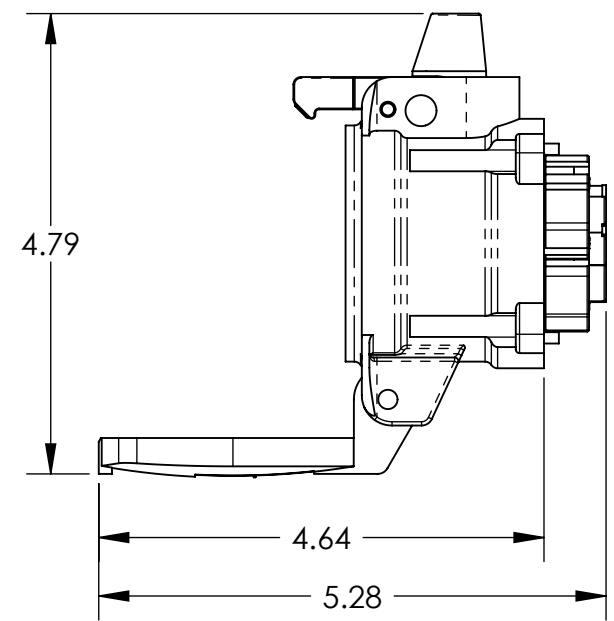
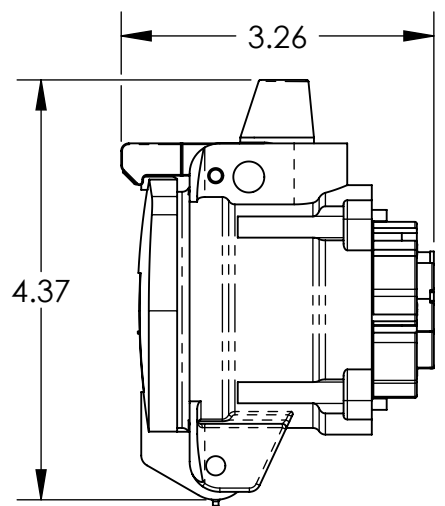
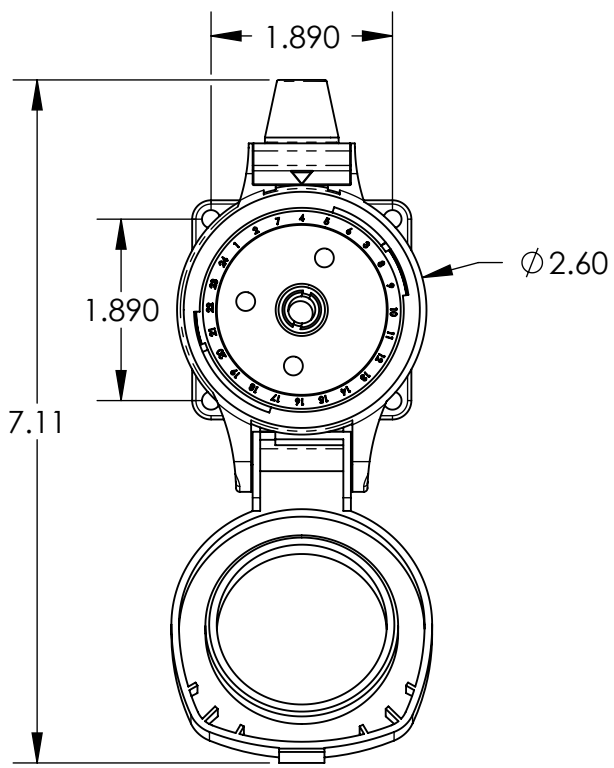
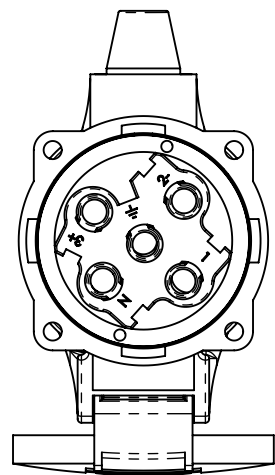


This drawing is the property of MELTRIC Corporation, Franklin (Milwaukee) Wisconsin, USA. Any unauthorized copying of this drawing by any means, ENGR/RD/06 REV: 21 ISSUED DATE: 10/7/16 or disclosure of its contents to any person not authorized by MELTRIC Corporation or its agents to receive it, is strictly prohibited.



ENTRY HOLE PATTERN



HAZARDOUS RATINGS:
 ClI Div2, Gr ABCD, T6
 ClI Zone 2, IIC

TOLERANCES UNLESS OTHERWISE SPECIFIED		 MELTRIC A COMPANY OF MARÉCHAL ÉLECTRIC	
MACHINED SURFACES $\sqrt[125]{\text{MAX}}$	ENGLISH		
GROUND SURFACES $\sqrt[32]{\text{MAX}}$	0.X ±0.05	DRAWING TITLE: DS20 HAZARDOUS LOCATION RECEPTACLE	
ANGLE TOLERANCE ±1°	0.XX ±0.01	DATE:	SCALE NTS
REMOVE BURRS & SHARP EDGES TO .015 MAX.	0.XXX ±0.005	MATERIAL: BLACK POLY CASING	
DIMENSIONS SHOWN IN OVALS ARE INSPECTION DIMENSIONS.	SHEET: 1 OF 1		PART NUMBER 35-14xxx-xxx-HAZ
			REVISION