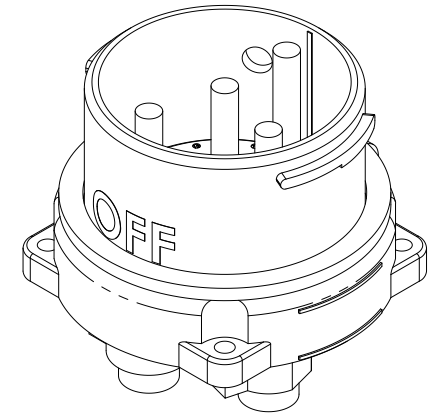
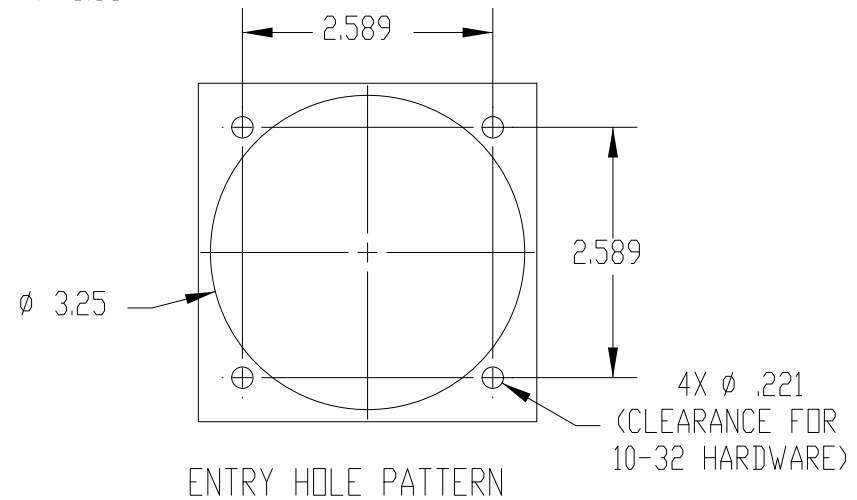
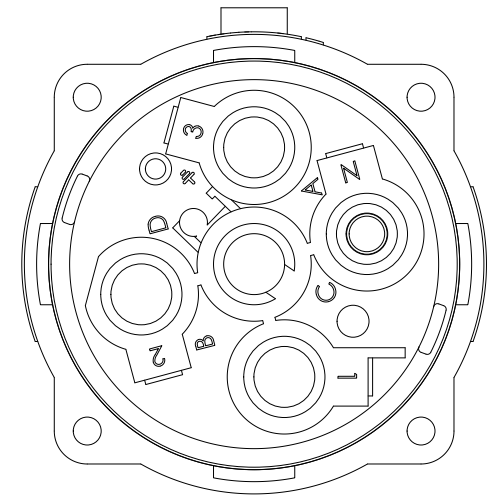
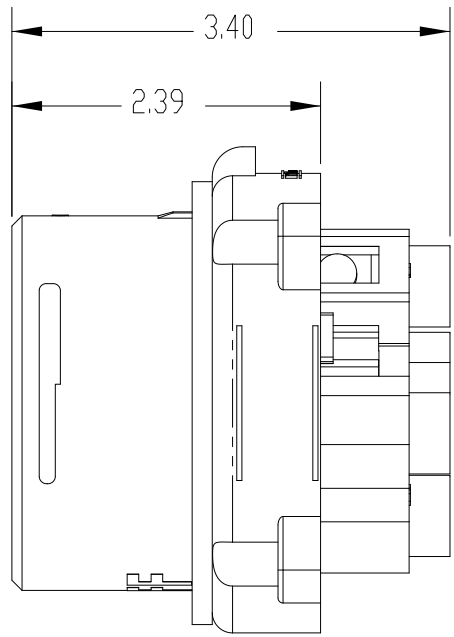
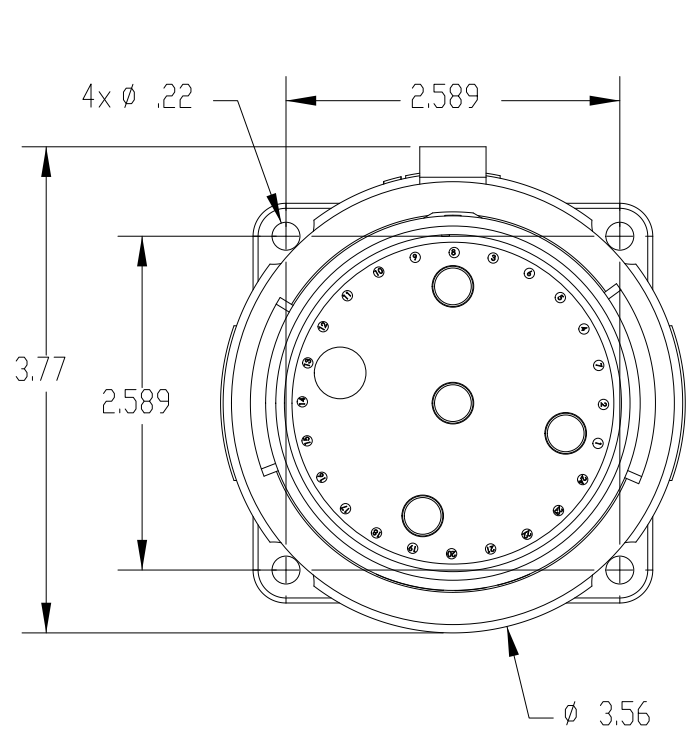


This drawing is the property of MELTRIC Corporation, Franklin (Milwaukee), Wisconsin, USA. Any unauthorized copying of this drawing by any means, or disclosure of its contents to any person not authorized by MELTRIC Corporation or its agents to receive it, is strictly prohibited.



HAZARDOUS RATINGS:
 CII Div2, Gr ABCD, T6
 CII Zone 2, IIC

ENTRY HOLE PATTERN

TOLERANCES UNLESS OTHERWISE SPECIFIED		 A COMPANY OF MARÉCHAL ÉLECTRIQUE	
MACHINED SURFACES $125 \sqrt{\text{MAX}}$ GROUND SURFACES $32 \sqrt{\text{MAX}}$ ANGLE TOLERANCE $\pm 1^\circ$ REMOVE BURRS & SHARP EDGES TO .015 MAX.	ENGLISH 0.X ± 0.05 0.XX ± 0.01 0.XXX ± 0.005		
DIMENSIONS SHOWN IN OVALS ARE INSPECTION DIMENSIONS.		SCALE NTS	MATERIAL: BLACK METAL CASING
		SHEET: 1 OF 1	PART NUMBER 36-68xxx-C-Kxx-xxx-HAZ
		REVISION	