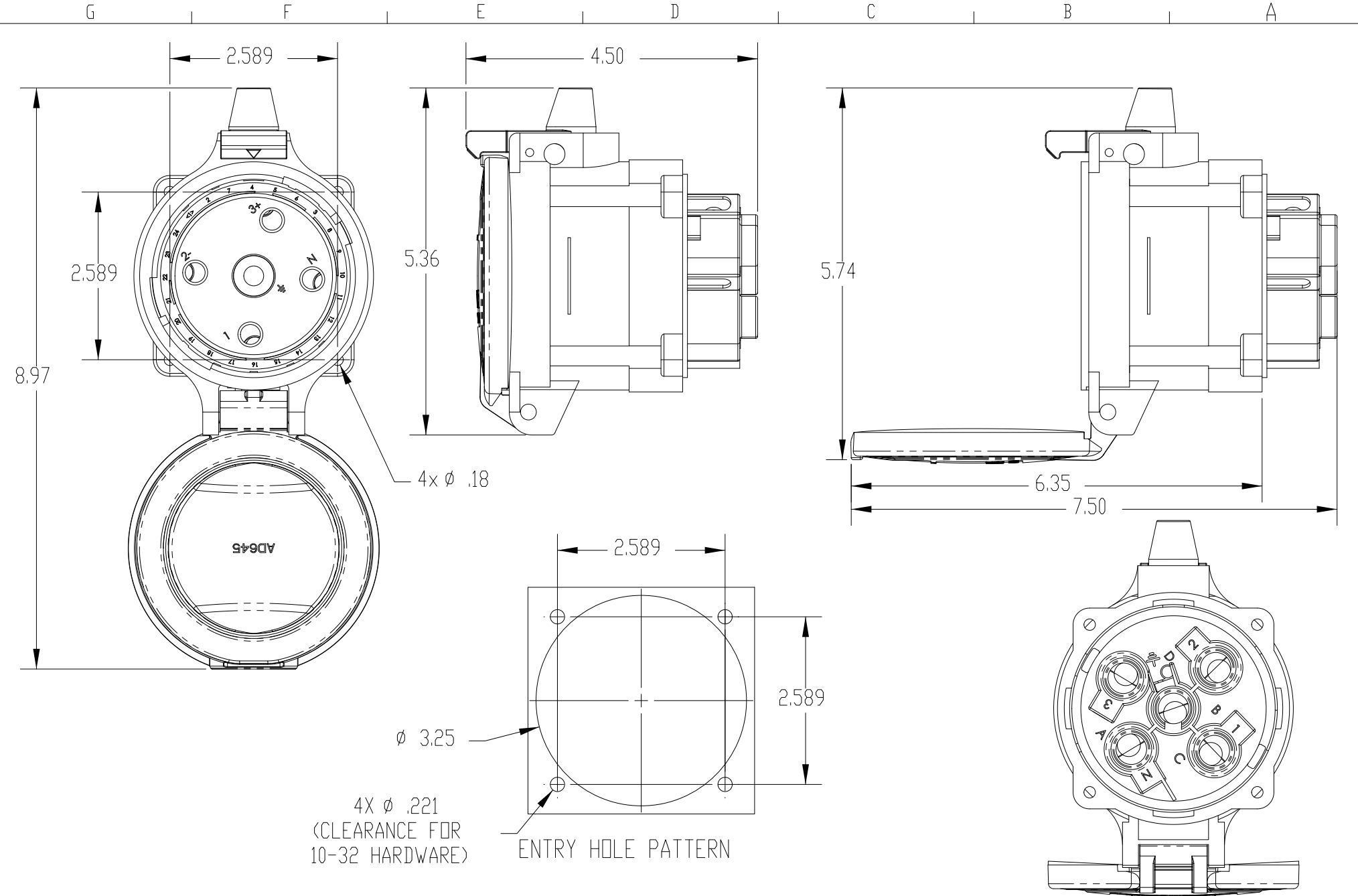



This drawing is the property of MELTRIC Corporation, Franklin (Milwaukee) Wisconsin, USA. Any unauthorized copying of this drawing by any means, or disclosure of its contents to any person not authorized by MELTRIC Corporation or its agents to receive it, is strictly prohibited.



HAZARDOUS RATINGS:
 CII Div2, Gr ABCD, T6
 CII Zone 2, IIC

TOLERANCES UNLESS OTHERWISE SPECIFIED		MELTRIC	
MACHINED SURFACES	$\sqrt{125}$ MAX	ENGLISH	
GROUND SURFACES	$\sqrt{32}$ MAX	0.X ± 0.05	
ANGLE TOLERANCE	$\pm 1^\circ$	0.XX ± 0.01	
REMOVE BURRS & SHARP EDGES TO .015 MAX.		0.XXX ± 0.005	
 DIMENSIONS SHOWN IN OVALS ARE INSPECTION DIMENSIONS.		A COMPANY OF MARECHAL ELECTRIC	
DRAWN	APPROVED	DRAWING TITLE:	
DATE:	SCALE	DS100c METAL HAZARDOUS LOCATION RECEPTACLE	
	NTS	MATERIAL:	
		BLACK METAL CASING	
SHEET:	PART NUMBER	REVISION	
1 OF 1	36-64xxx-C-Kxx-xxx-HAZ		