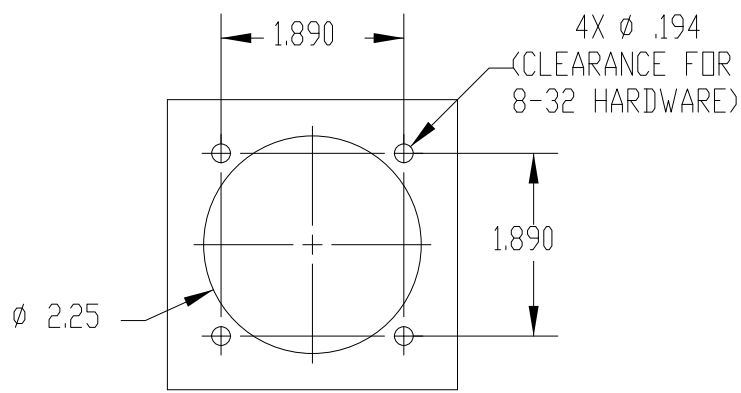
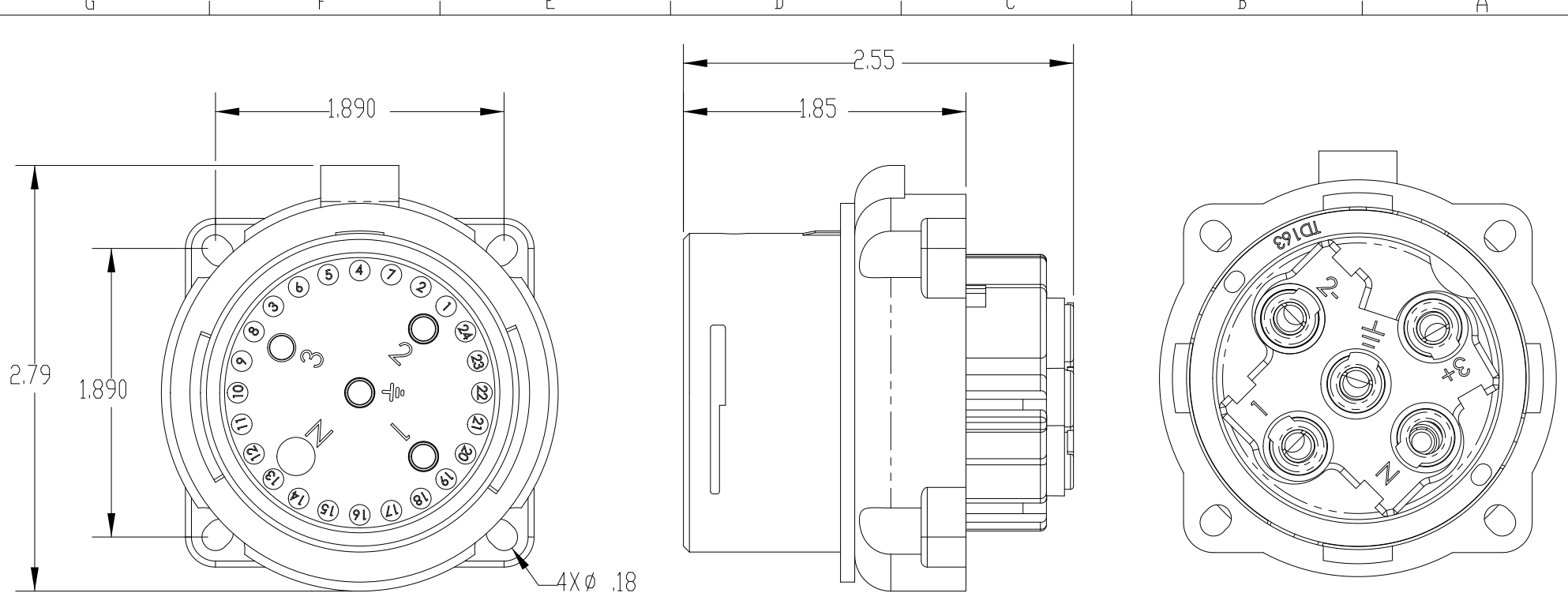


This drawing is the property of MELTRIC Corporation, Franklin (Milwaukee) Wisconsin, USA. Any unauthorized copying of this drawing by any means, or disclosure of its contents to any person not authorized by MELTRIC Corporation or its agents to receive it, is strictly prohibited.



HAZARDOUS RATINGS:
 CII Div2, Gr ABCD, T6
 CII Zone 2, IIC

ENTRY HOLE PATTERN

TOLERANCES UNLESS OTHERWISE SPECIFIED MACHINED SURFACES $125 \sqrt{\text{MAX}}$ GROUND SURFACES $32 \sqrt{\text{MAX}}$ ANGLE TOLERANCE $\pm 1^\circ$ REMOVE BURRS & SHARP EDGES TO .015 MAX.		ENGLISH 0.X ± 0.05 0.XX ± 0.01 0.XXX ± 0.005			
DRAWN: _____ DATE: _____		APPROVED: _____ DATE: _____		DRAWING TITLE: DR30 HAZ LOCATION INLET	
SHEET: 1 OF 1		SCALE: BLACK POLY CASING		MATERIAL: BLACK POLY CASING	
DIMENSIONS SHOWN IN OVALS ARE INSPECTION DIMENSIONS.		PART NUMBER 35-18xxx-Kxx-xxx-HAZ		REVISION	