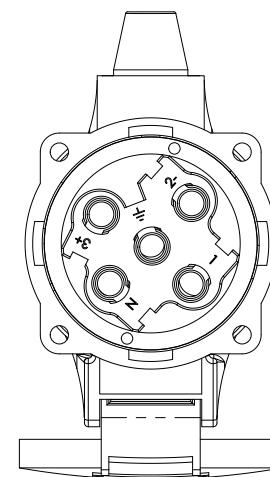
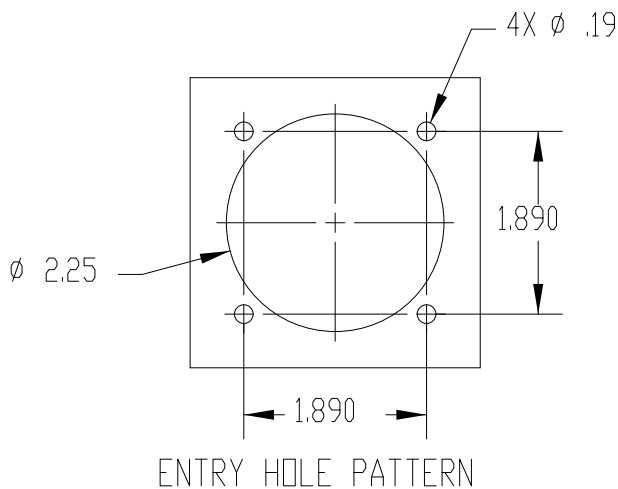
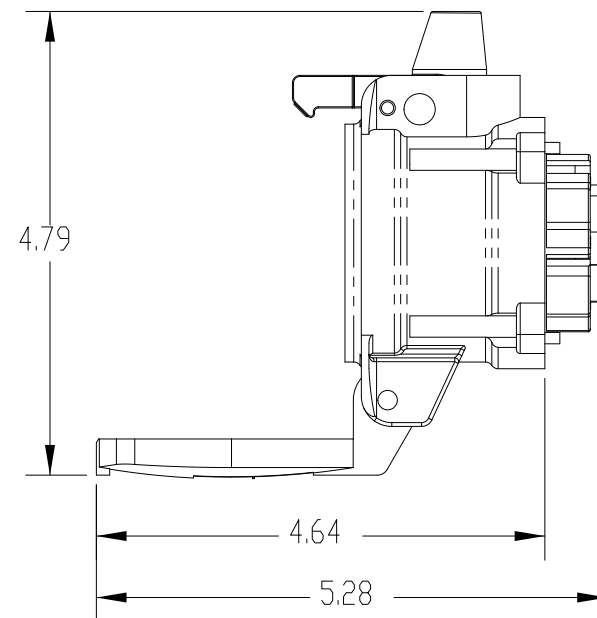
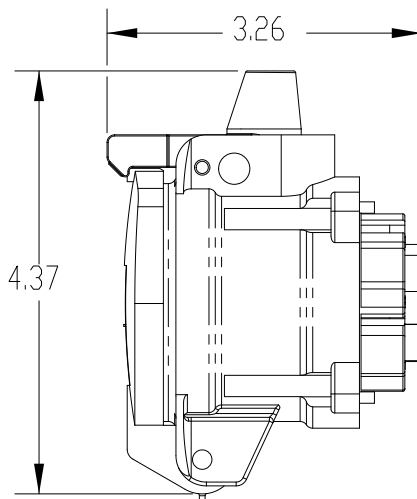
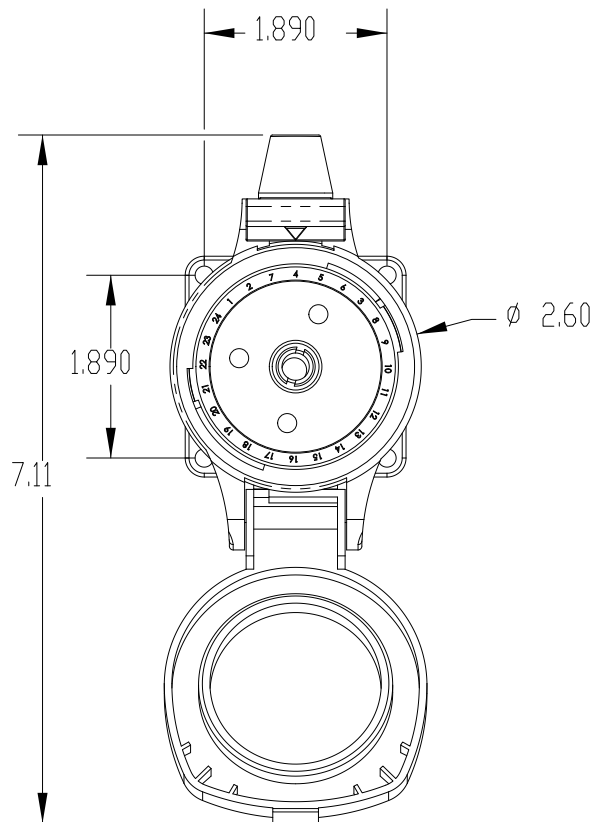
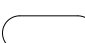


This drawing is the property of MELTRIC Corporation, Franklin (Milwaukee) Wisconsin, USA. Any unauthorized copying of this drawing by any means, or disclosure of its contents to any person not authorized by MELTRIC Corporation or its agents to receive it, is strictly prohibited.



HAZARDOUS RATINGS:
 CII Div2, Gr ABCD, T6
 CII Zone 2, IIC

TOLERANCES UNLESS OTHERWISE SPECIFIED		MELTRIC A COMPANY OF MARÉCHAL ÉLECTRIQUE	
MACHINED SURFACES	125 $\sqrt{\text{MAX}}$	ENGLISH	DRAWN
GROUND SURFACES	32 $\sqrt{\text{MAX}}$	0.X ± 0.05	APPROVED
ANGLE TOLERANCE	$\pm 1^\circ$	0.XX ± 0.01	DATE:
REMOVE BURRS & SHARP EDGES TO .015 MAX.		0.XXX ± 0.005	SCALE
 DIMENSIONS SHOWN IN OVALS ARE INSPECTION DIMENSIONS.			NTS
			MATERIAL:
			BLACK POLY CASING
			PART NUMBER
			35-14xxx-Kxx-xxx-HAZ
			REVISION