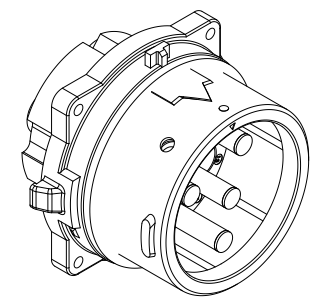
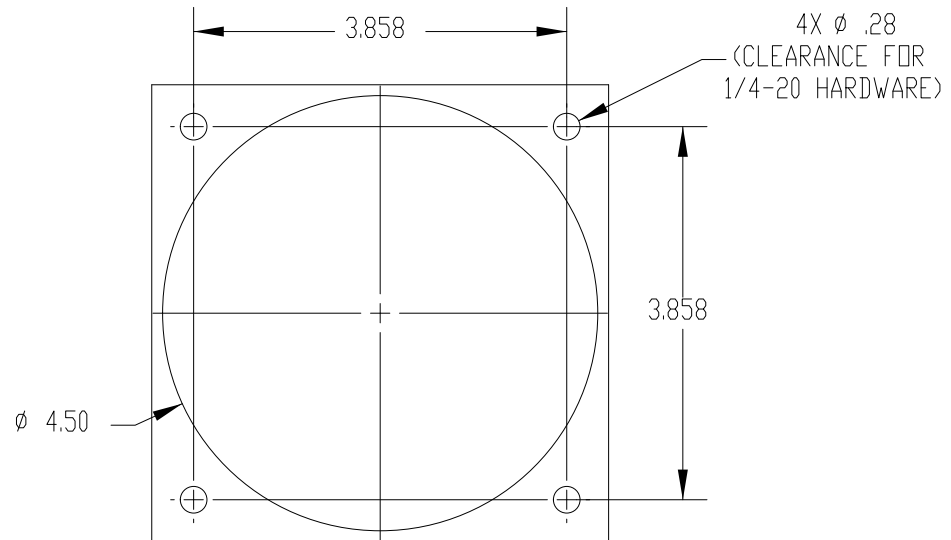
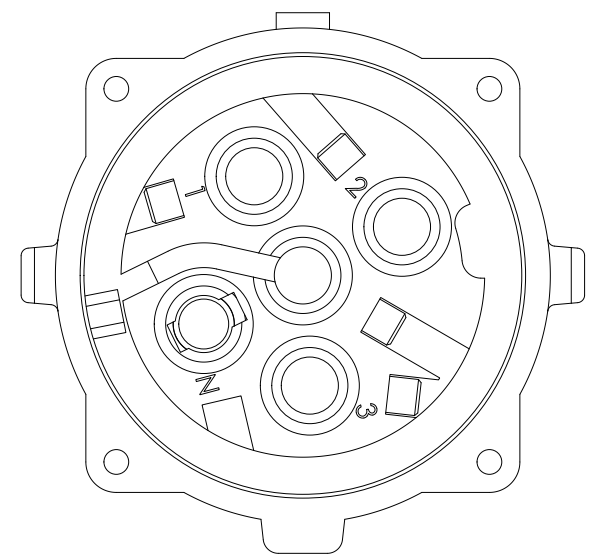
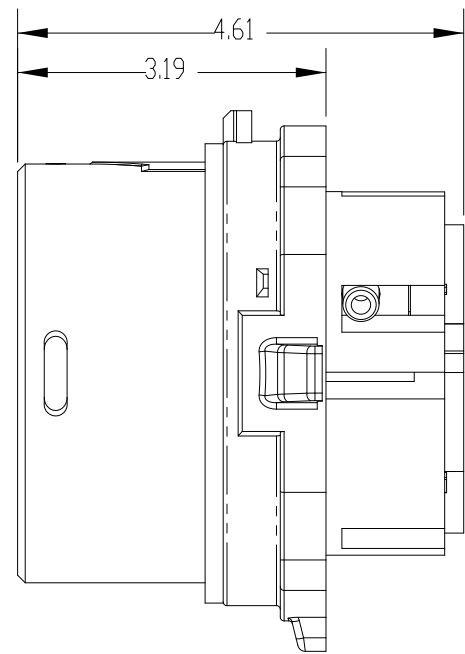
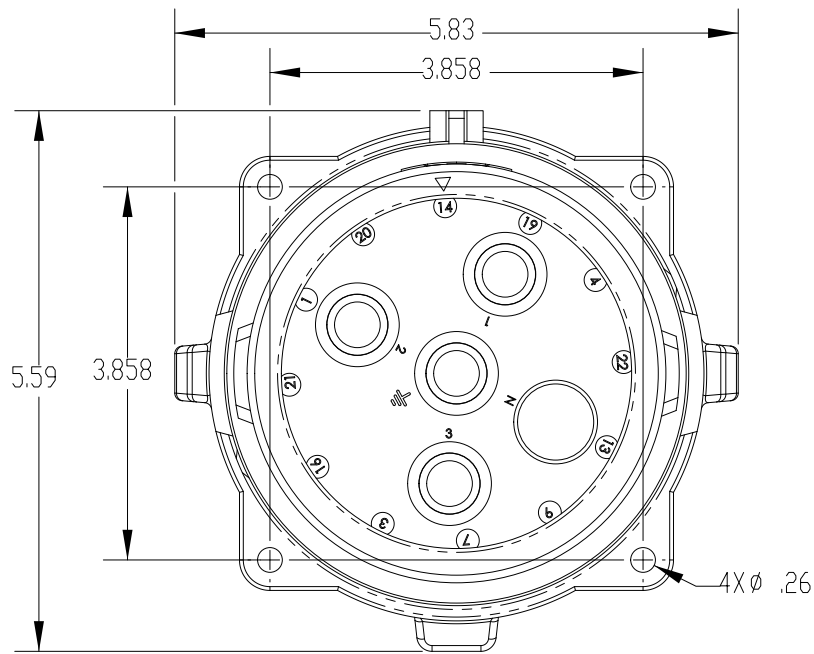


This drawing is the property of MELTRIC Corporation, Franklin (Milwaukee), Wisconsin, USA. Any unauthorized copying of this drawing by any means, or disclosure of its contents to any person not authorized by MELTRIC Corporation or its agents to receive it, is strictly prohibited.



HAZARDOUS RATINGS:
 CII Div2, Gr ABCD, T6
 CII Zone 2, IIC

ENTRY HOLE PATTERN

TOLERANCES UNLESS OTHERWISE SPECIFIED		 MELTRIC A COMPANY OF MARECHAL ELECTRIC		DRAWING TITLE:	
MACHINED SURFACES	125 $\sqrt{\text{MAX}}$			ENGLISH	DATE:
GROUND SURFACES	32 $\sqrt{\text{MAX}}$	0.X ± 0.05	SCALE	MATERIAL:	DR250 HAZARDOUS LOCATION INLET
ANGLE TOLERANCE	$\pm 1^\circ$	0.XX ± 0.01	NTS	METAL CASING	
REMOVE BURRS & SHARP EDGES TO .015 MAX.		0.XXX ± 0.005			
DIMENSIONS SHOWN IN OVALS ARE INSPECTION DIMENSIONS.		SHEET:		PART NUMBER	REVISION
		1 OF 1		36-28xxx-Kxx-xxx-HAZ	