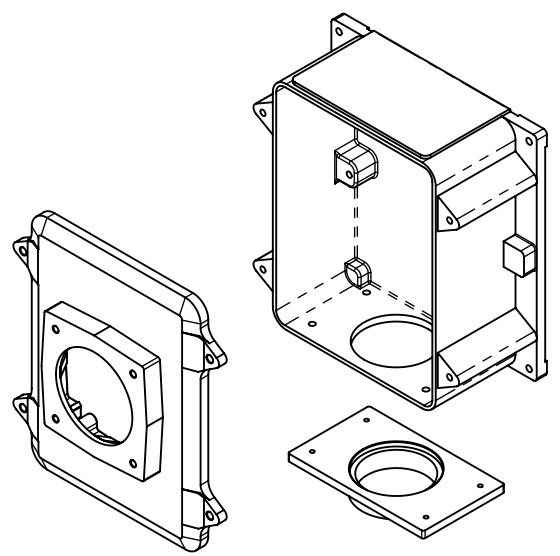
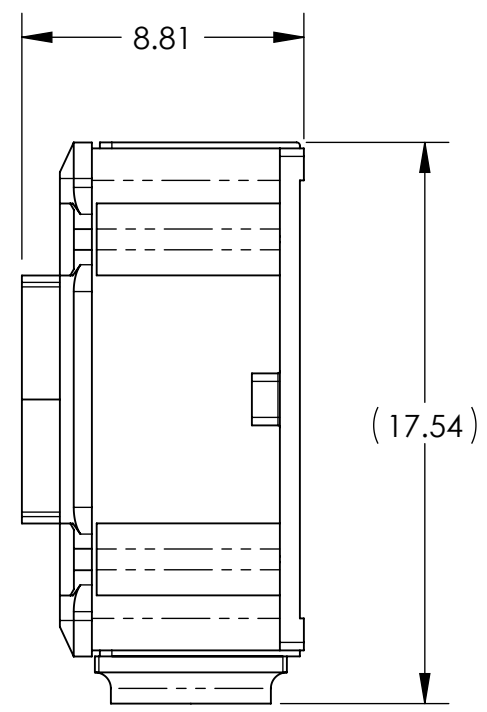
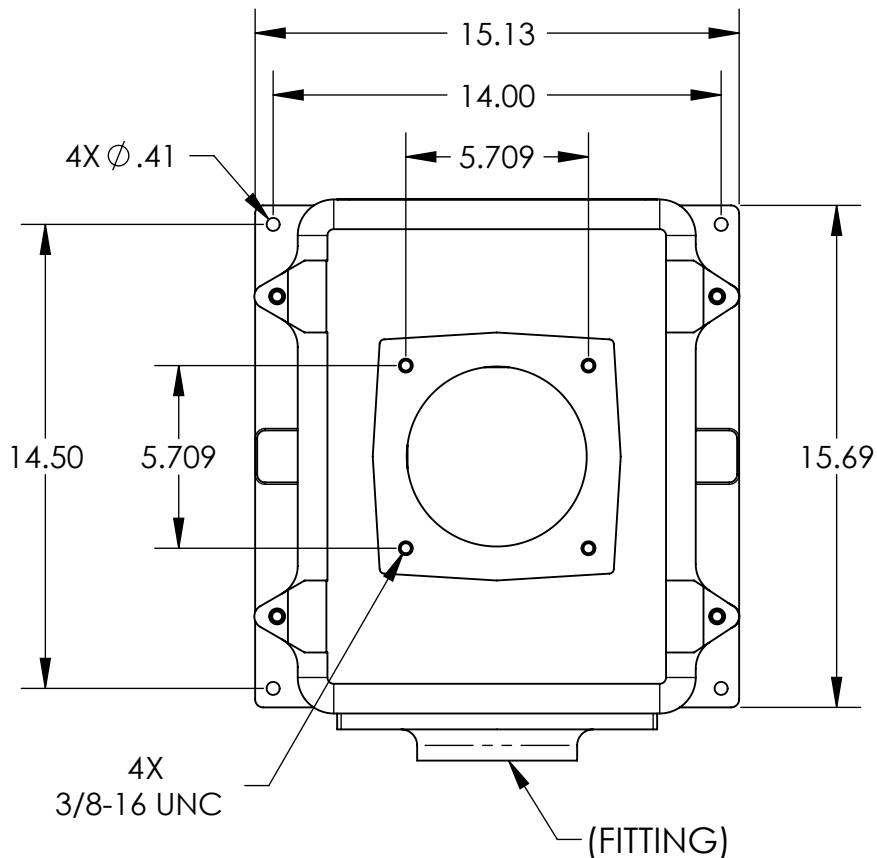


This drawing is the property of MELTRIC Corporation, Franklin (Milwaukee), Wisconsin, USA. Any unauthorized copying of this drawing by any means, ENG/RD/06 REV: 20 ISSUED DATE: 1/15/11 or disclosure of its contents to any person not authorized by MELTRIC Corporation or its agents to receive it, is strictly prohibited.



PART NUMBER	FITTING SIZE
MB40PFQ-20	2" NPT
MB40PFQ-25	2.5" NPT
MB40PFQ-30	3" NPT
MB40PFQ-35	3.5" NPT
MB40PFQ-40	4" NPT

APPROX WEIGHT = 45 LBS.

TOLERANCES UNLESS OTHERWISE SPECIFIED				DRAWING TITLE:	
MACHINED SURFACES $\sqrt[125]{\text{MAX}}$	ENGLISH			DATE:	SCALE
GROUND SURFACES $\sqrt[32]{\text{MAX}}$	0.X ±0.05		NTS	PAINTED METAL	
ANGLE TOLERANCE ±1°	0.XX ±0.01				
REMOVE BURRS & SHARP EDGES TO .015 MAX.	0.XXX ±0.005	SHEET:	PART NUMBER		
DIMENSIONS SHOWN IN OVALS ARE INSPECTION DIMENSIONS.		1 OF 1	MB40PFQ-xx		
			REVISION		