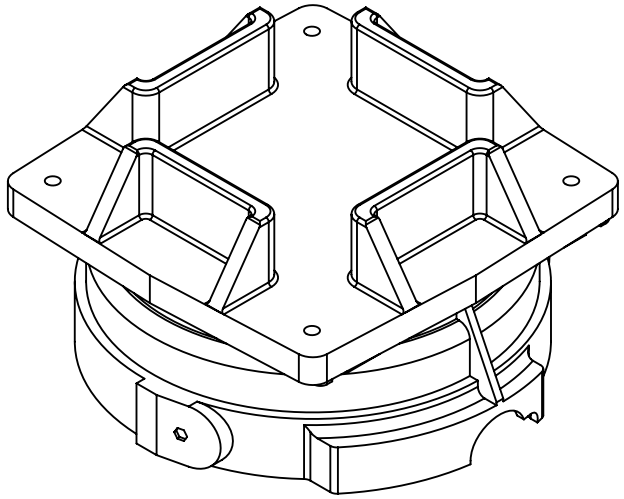
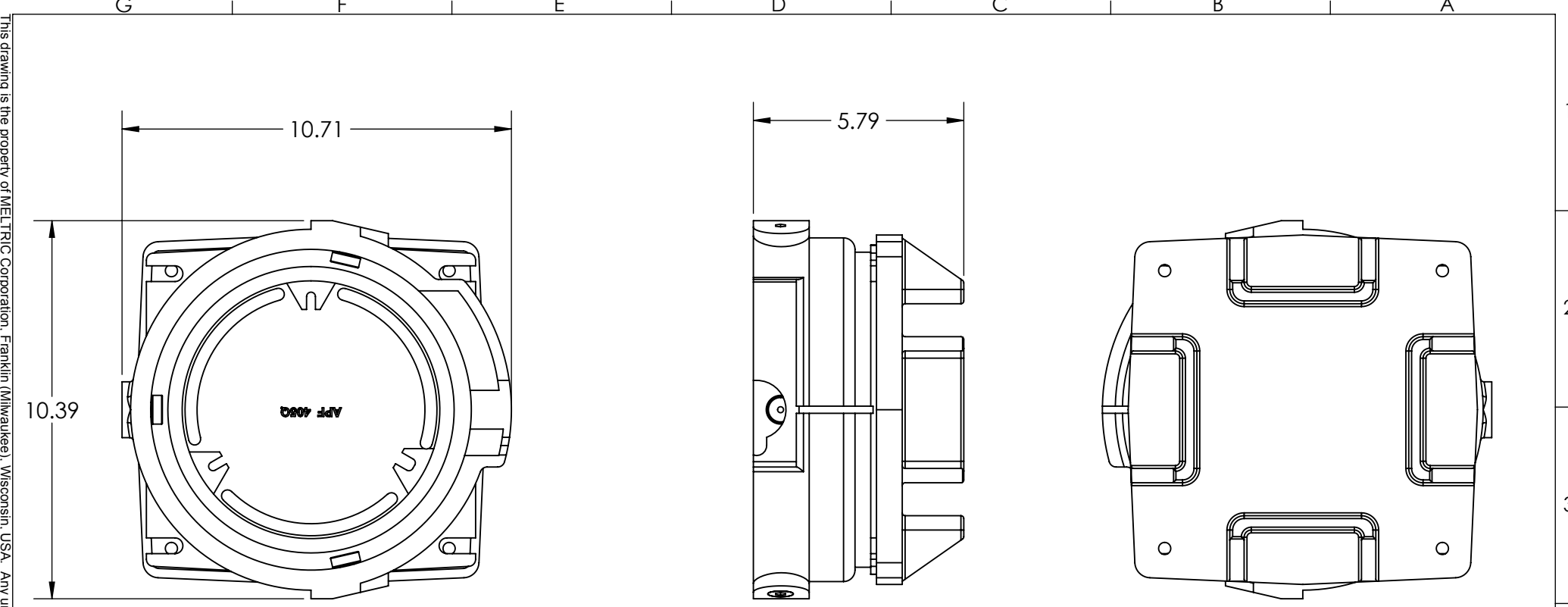

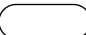


This drawing is the property of MELTRIC Corporation, Franklin (Milwaukee), Wisconsin, USA. Any unauthorized copying of this drawing by any means, ENG/RD/06 REV: 20 ISSUED DATE: 1/15/11 or disclosure of its contents to any person not authorized by MELTRIC Corporation or its agents to receive it, is strictly prohibited.



APPROX WEIGHT = 12 LBS.

TOLERANCES UNLESS OTHERWISE SPECIFIED			
MACHINED SURFACES $\sqrt[125]{\text{MAX}}$	ENGLISH		
GROUND SURFACES $\sqrt[32]{\text{MAX}}$	0.X ±0.05	DRAWING TITLE:	
ANGLE TOLERANCE ±1°	0.XX ±0.01	PF600 RECEPTACLE REPLACEMENT METAL CAP	
REMOVE BURRS & SHARP EDGES TO .015 MAX.	0.XXX ±0.005	DATE:	SCALE
 DIMENSIONS SHOWN IN OVALS ARE INSPECTION DIMENSIONS.		MATERIAL:	
		PAINTED METAL	
		SHEET:	PART NUMBER
		1 OF 1	49-6A925
			REVISION