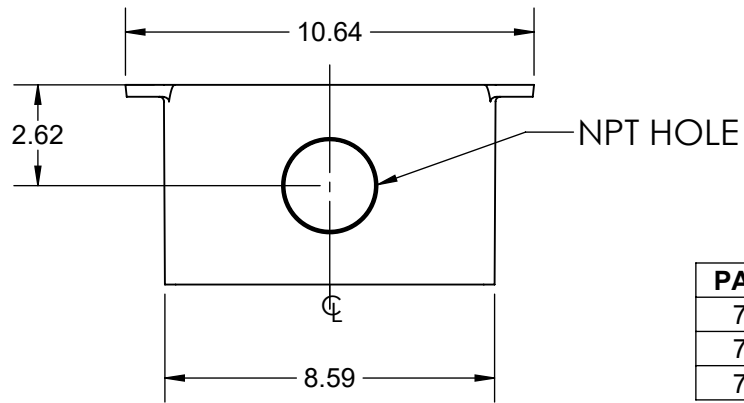
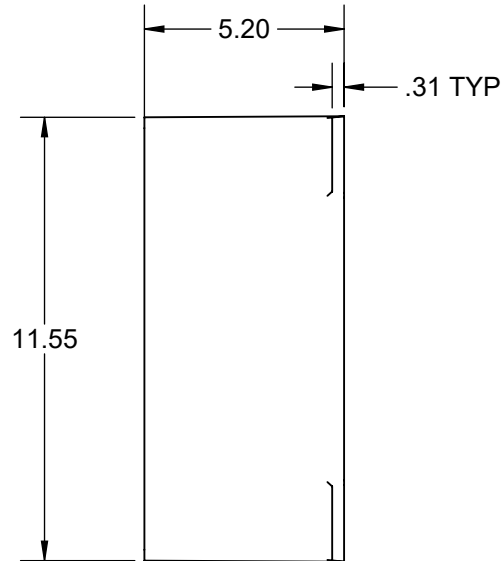
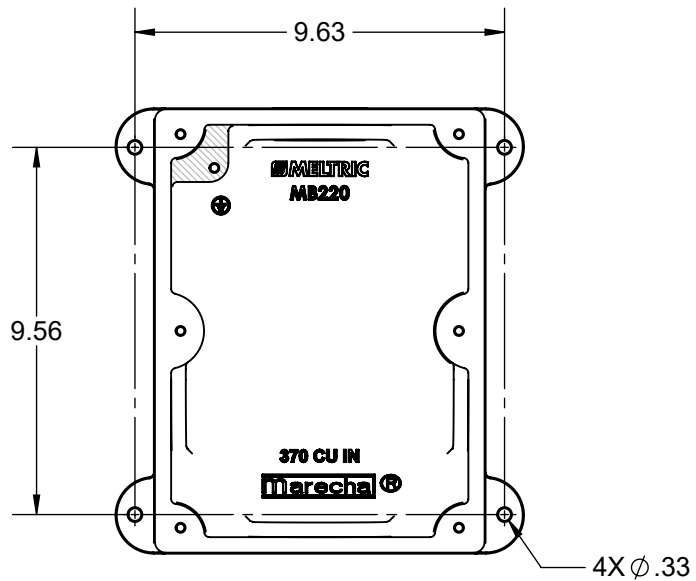
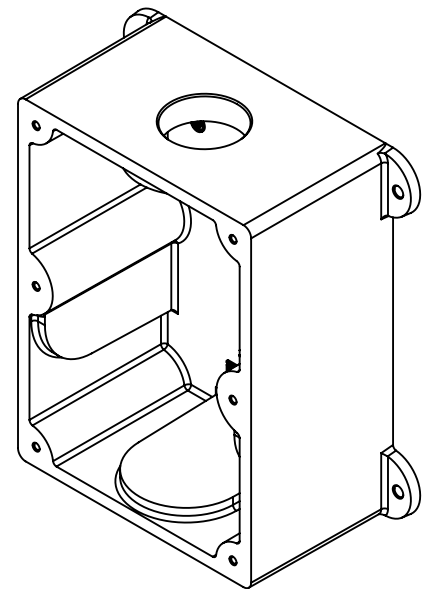


This drawing is the property of MELTRIC Corporation, Franklin (Milwaukee) Wisconsin, USA. Any unauthorized copying of this drawing by any means, or disclosure of its contents to any person not authorized by MELTRIC Corporation or its agents to receive it, is strictly prohibited. ENG/RD/06 REV: 21 ISSUED DATE: 10/7/16



PART NUMBER	NPT SIZE
7T6F0N20XL	2" NPT
7T6F0N25XL	2-1/2" NPT
7T6F0N30XL	3" NPT



TOLERANCES UNLESS OTHERWISE SPECIFIED		 MELTRIC A COMPANY OF MARÉCHAL ELECTRIC	
MACHINED SURFACES $\sqrt[125]{\text{MAX}}$ GROUND SURFACES $\sqrt[32]{\text{MAX}}$ ANGLE TOLERANCE $\pm 1^\circ$ REMOVE BURRS & SHARP EDGES TO .015 MAX.	ENGLISH 0.X ± 0.05 0.XX ± 0.01 0.XXX ± 0.005		
DIMENSIONS SHOWN IN OVALS ARE INSPECTION DIMENSIONS.		SCALE: NTS MATERIAL: METAL	PART NUMBER: 7T6F0NxxXL REVISION: _____