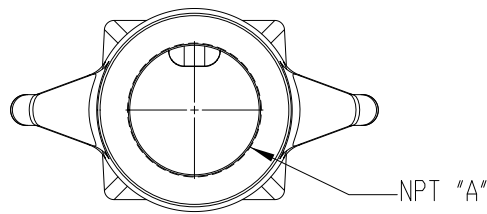
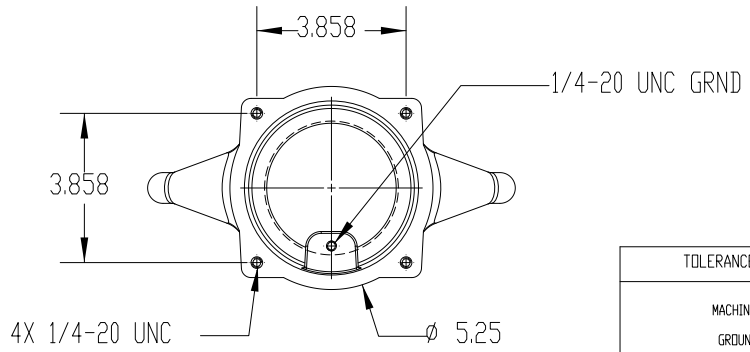
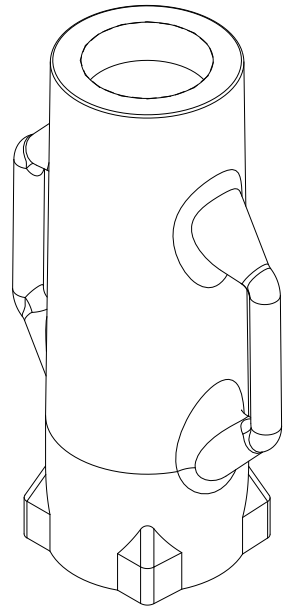
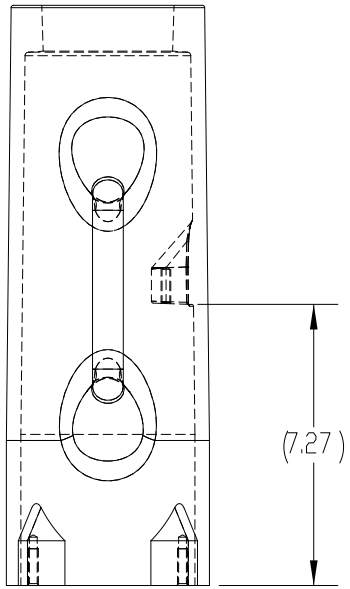
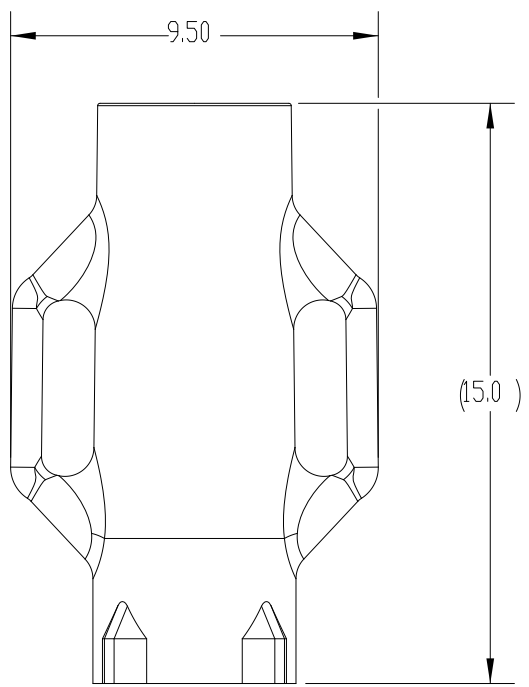


This drawing is the property of MELTRIC Corporation, Franklin (Milwaukee), Wisconsin, USA. Any unauthorized copying of this drawing by any means, or disclosure of its contents to any person not authorized by MELTRIC Corporation or its agents to receive it, is strictly prohibited.



PART NUMBER	NPT "A"
796P0N12	1-1/4" NPT
796P0N15	1-1/2" NPT
796P0N20	2" NPT
796P0N25	2-1/2" NPT
796P0N30	3" NPT



TOLERANCES UNLESS OTHERWISE SPECIFIED		 A COMPANY OF MARÉCHAL ÉLECTRIC		DRAWING TITLE:	
MACHINED SURFACES	ENGLISH			200A OVERSIZED METAL HANDLE	
GRIND SURFACES	0.X ±0.05	DATE:	SCALE	PAINTED METAL - BLUE	
ANGLE TOLERANCE ±1°	0.XX ±0.01	SHEET:	NTS	PART NUMBER	
REMOVE BURRS & SHARP EDGES TO .015 MAX.	0.XXX ±0.005	1 OF 1		796P0Nxx	REVISION
DIMENSIONS SHOWN IN OVALS ARE INSPECTION DIMENSIONS.					