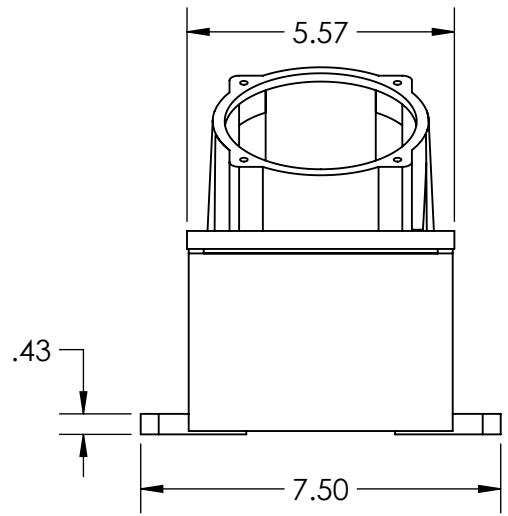
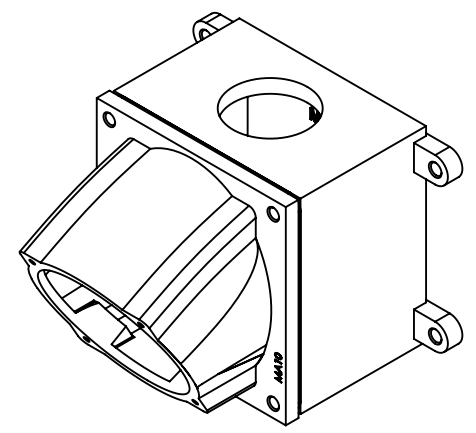
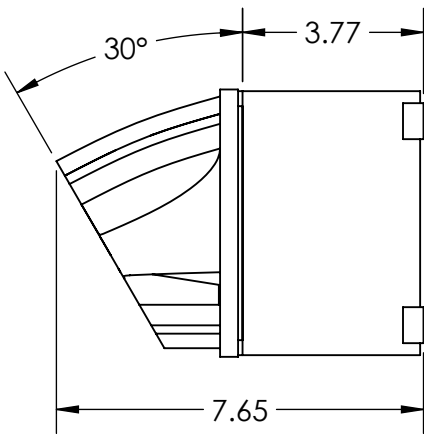
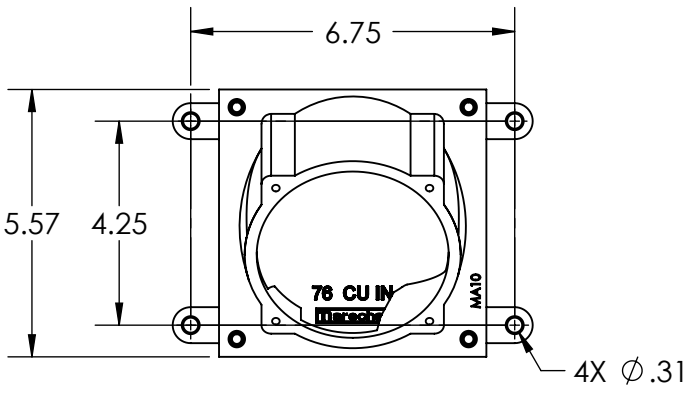
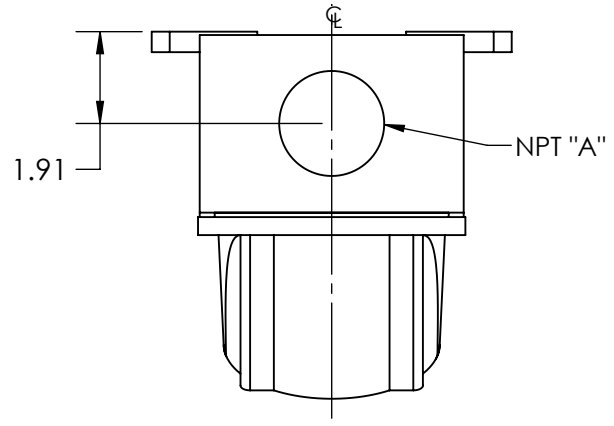
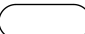



This drawing is the property of MELTRIC Corporation, Franklin (Milwaukee), Wisconsin, USA. Any unauthorized copying of this drawing by any means, ENG/RD/06 REV: 20 ISSUED DATE: 11/15/11 or disclosure of its contents to any person not authorized by MELTRIC Corporation or its agents to receive it, is strictly prohibited.



PART NUMBER	NPT SIZE "A"
7K5C3N12	1-1/4" NPT
7K5C3N15	1-1/2" NPT
7K5C3N20	2" NPT
7K5C3N25	2-1/2" NPT

TOLERANCES UNLESS OTHERWISE SPECIFIED	
MACHINED SURFACES GROUND SURFACES ANGLE TOLERANCE $\pm 1^\circ$ REMOVE BURRS & SHARP EDGES TO .015 MAX.	<b>ENGLISH</b>  0.X $\pm 0.05$ 0.XX $\pm 0.01$ 0.XXX $\pm 0.005$
 DIMENSIONS SHOWN IN OVALS ARE INSPECTION DIMENSIONS.	

		DRAWING TITLE:	
A COMPANY OF MARECHAL ELECTRIC		SIZE 5 METAL BOX/METAL 30° ANGLE COMBO	
DRAWN	APPROVED	SCALE	MATERIAL:
DATE:		NTS	BLACK PAINTED METAL
SHEET:	PART NUMBER		REVISION
1 OF 1	7K5C3Nxx		