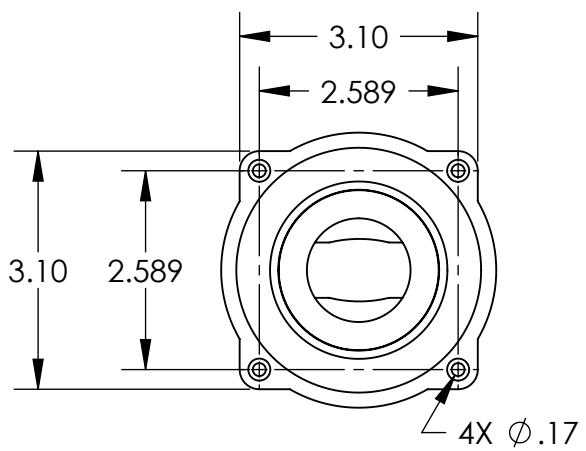
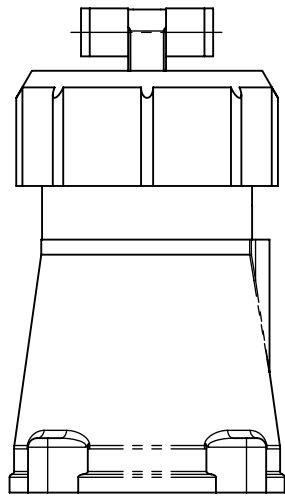
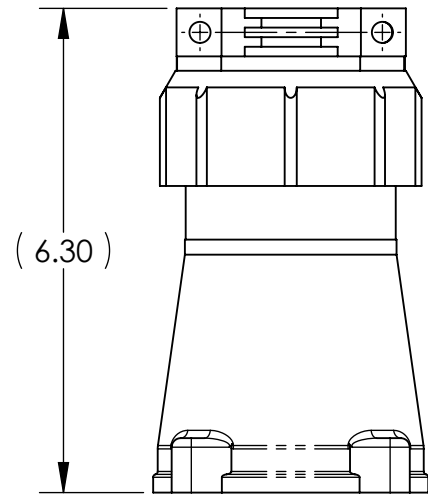
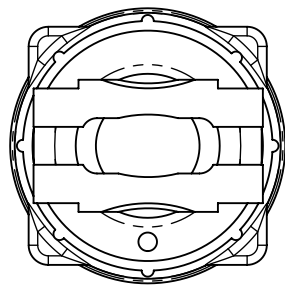
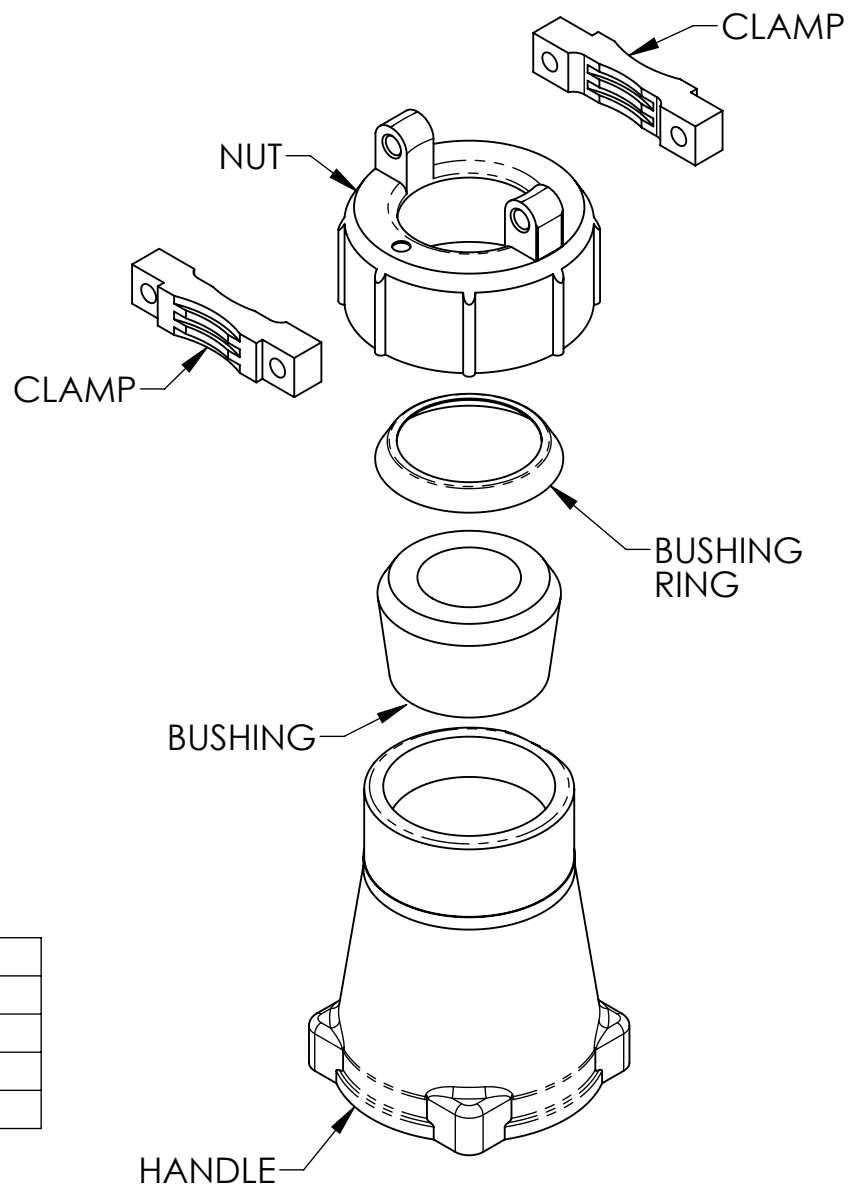


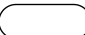
This drawing is the property of MELTRIC Corporation, Franklin (Milwaukee) Wisconsin, USA. Any unauthorized copying of this drawing by any means, ENG/RD/06 REV: 20 ISSUED DATE: 1/15/11 or disclosure of its contents to any person not authorized by MELTRIC Corporation or its agents to receive it, is strictly prohibited.


G F E D C B A



PART NUMBER	CABLE RANGE
714POS22	1.250" - 1.375"
714POS25	1.438" - 1.562"
714POS27	1.562" - 1.688"
714POS29	1.688" - 1.812"



TOLERANCES UNLESS OTHERWISE SPECIFIED	
MACHINED SURFACES $\sqrt[125]{\text{MAX}}$	ENGLISH 0.X ±0.05 0.XX ±0.01 0.XXX ±0.005
GROUND SURFACES $\sqrt[32]{\text{MAX}}$	
ANGLE TOLERANCE ±1°	
REMOVE BURRS & SHARP EDGES TO .015 MAX.	
 DIMENSIONS SHOWN IN OVALS ARE INSPECTION DIMENSIONS.	

		DRAWING TITLE:	
DRAWN	APPROVED	POLY HANDLE W/CLAMP & BUSHING	
DATE:	SCALE	MATERIAL:	
	NTS	BLUE POLY	
SHEET:	PART NUMBER		REVISION
1 OF 1	714POS2x		