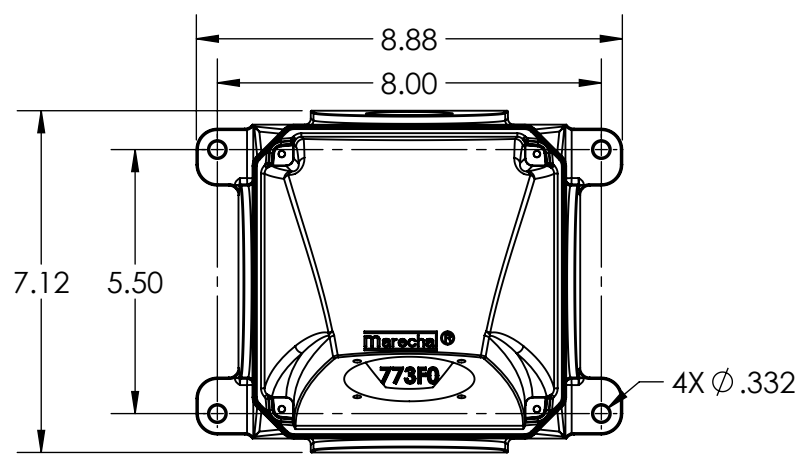
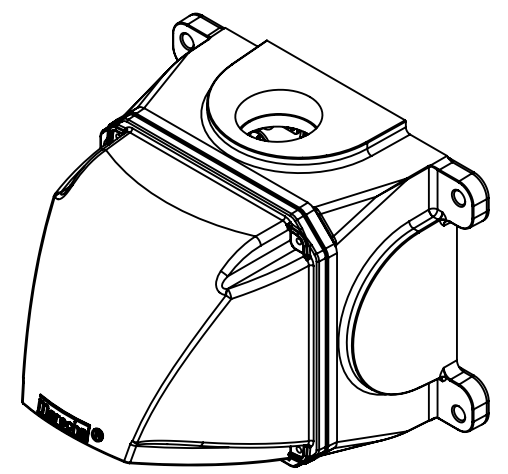
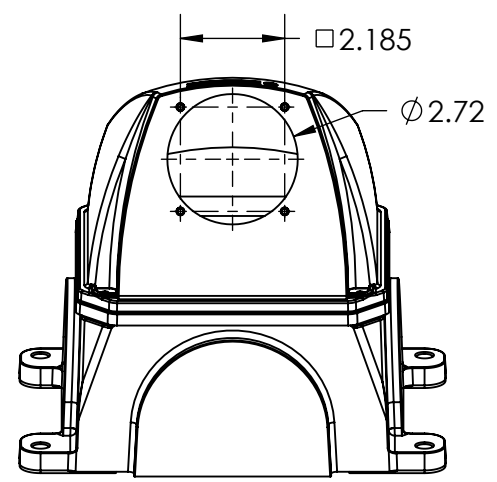
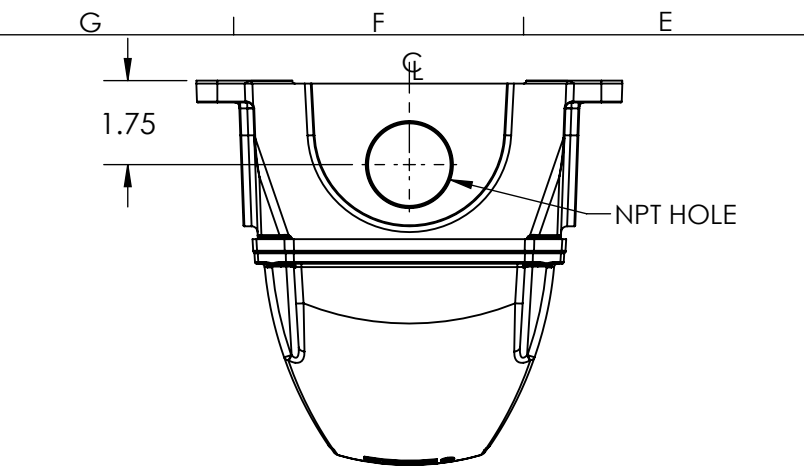
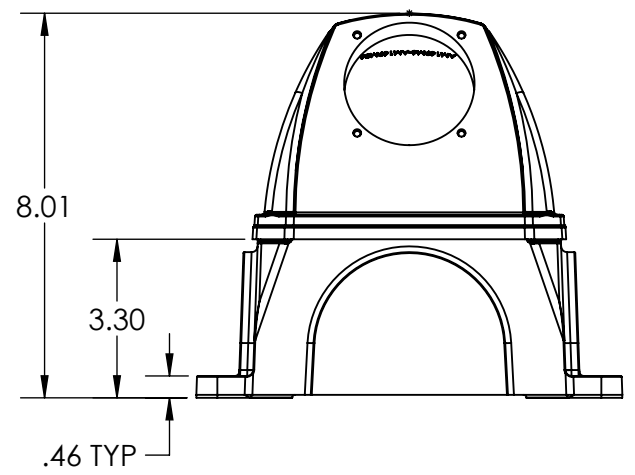
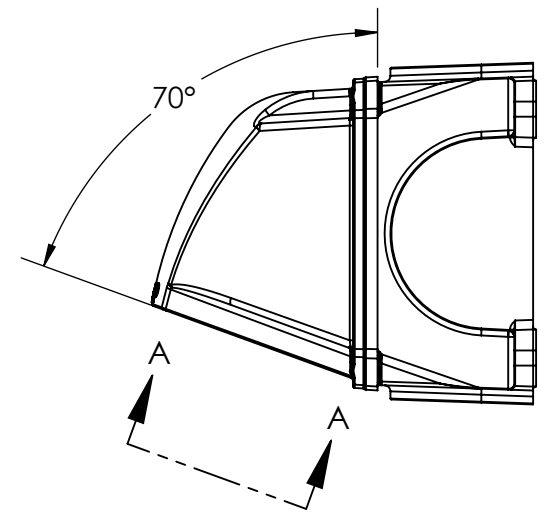


This drawing is the property of MELTRIC Corporation, Franklin (Milwaukee), Wisconsin, USA. Any unauthorized copying of this drawing by any means, ENGR/D/06 REV: 21 ISSUED DATE: 10/7/16 or disclosure of its contents to any person not authorized by MELTRIC Corporation or its agents to receive it, is strictly prohibited.



VIEW A-A
70°



PART NUMBER	NPT HOLE SIZE
713C7N05	1/2" NPT
713C7N07	3/4" NPT
713C7N10	1" NPT
713C7N12	1-1/4" NPT
713C7N15	1-1/2" NPT

TOLERANCES UNLESS OTHERWISE SPECIFIED

MACHINED SURFACES $\sqrt[125]{\text{MAX}}$	ENGLISH
GROUND SURFACES $\sqrt[32]{\text{MAX}}$	
ANGLE TOLERANCE $\pm 1^\circ$	0.X ± 0.05
REMOVE BURRS & SHARP EDGES TO .015 MAX.	0.XX ± 0.01
DIMENSIONS SHOWN IN OVALS ARE INSPECTION DIMENSIONS.	0.XXX ± 0.005

MELTRIC
A COMPANY OF MARÉCHAL ELECTRIC

DRAWN	APPROVED	DRAWING TITLE:	
DATE:		SCALE	MATERIAL:
SHEET:		PART NUMBER	
1 OF 1		REVISION	

SIZE 3 POLY ANGLE WITH METAL BOX
METAL BOX W/BLEU POLY ANGLE
713C7Nxx