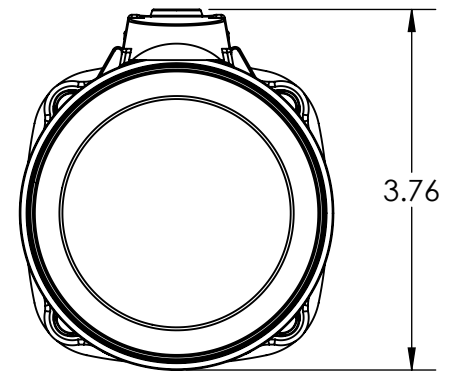
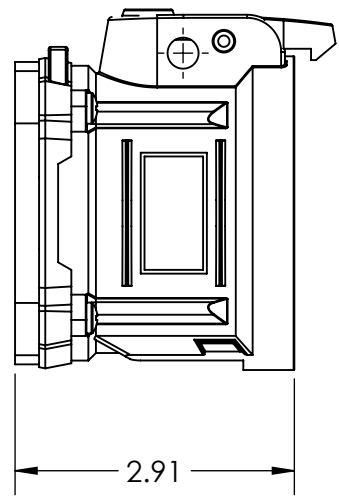
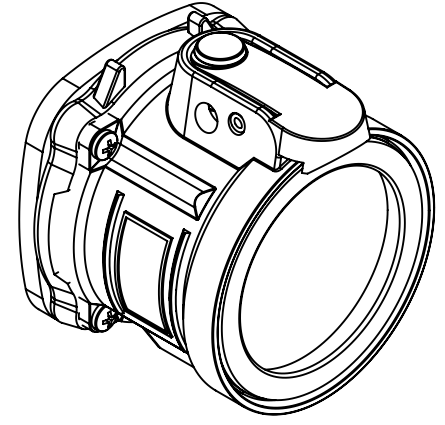
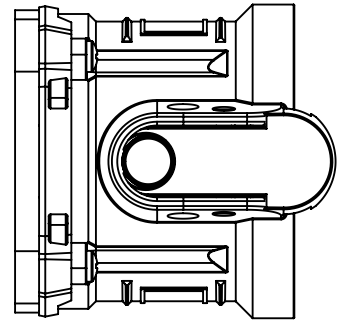
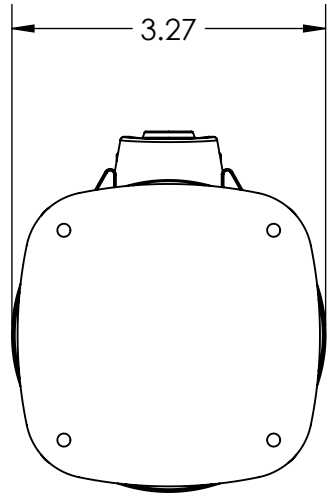



This drawing is the property of MELTRIC Corporation, Franklin (Milwaukee) Wisconsin, USA. Any unauthorized copying of this drawing by any means, ENG/RD/06 REV: 20 ISSUED DATE: 1/15/11 or disclosure of its contents to any person not authorized by MELTRIC Corporation or its agents to receive it, is strictly prohibited.

G | F | E | D | C | B | A



| | | | | | |
|---|--|---|-----------------------|--|-----------------------------|
| TOLERANCES UNLESS OTHERWISE SPECIFIED | |  A COMPANY OF MARÉCHAL ÉLECTRIC | | DRAWING TITLE: | |
| MACHINED SURFACES $\sqrt[125]{\text{MAX}}$ GROUND SURFACES $\sqrt[32]{\text{MAX}}$ ANGLE TOLERANCE $\pm 1^\circ$ REMOVE BURRS & SHARP EDGES TO .015 MAX. | ENGLISH $0.X \pm 0.05$ $0.XX \pm 0.01$ $0.XXX \pm 0.005$ | | | DRAWN APPROVED DATE: SCALE: NTS MATERIAL: BLUE POLY | PADLOCKABLE PLUG CAP |
| DIMENSIONS SHOWN IN OVALS ARE INSPECTION DIMENSIONS. | | SHEET: 1 OF 1 | PART NUMBER: 61-6A826 | REVISION | |