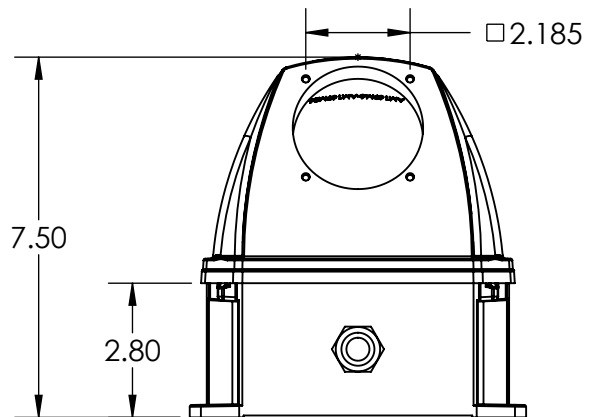
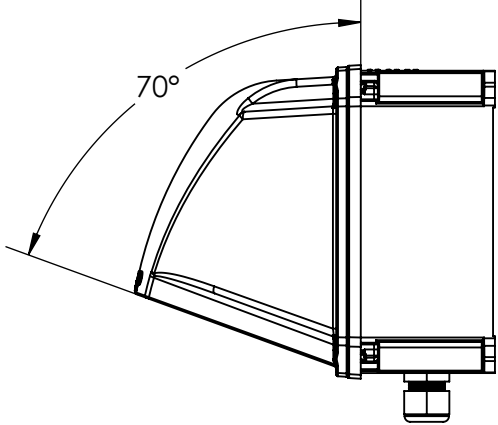
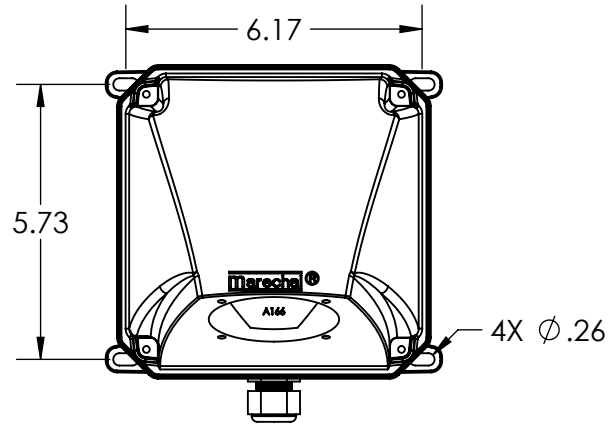
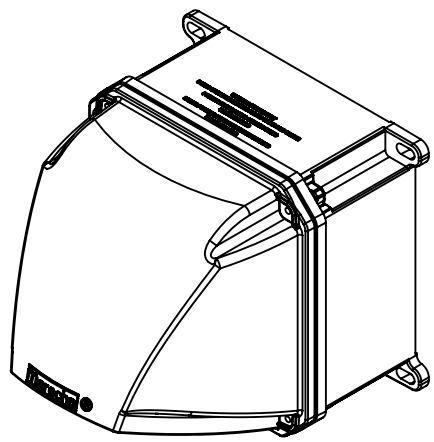
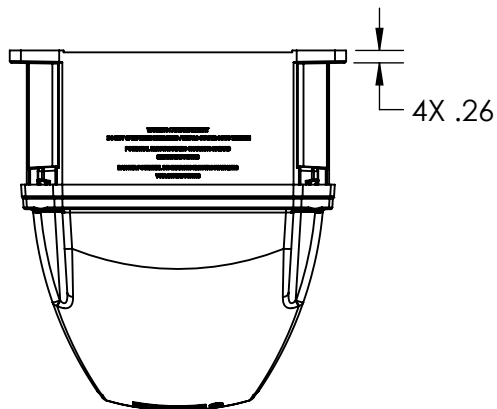


This drawing is the property of MELTRIC Corporation, Franklin (Milwaukee) Wisconsin, USA. Any unauthorized copying of this drawing by any means, ENG/RD/06 REV: 21 ISSUED DATE: 10/7/16 or disclosure of its contents to any person not authorized by MELTRIC Corporation or its agents to receive it, is strictly prohibited.

G F E D C B A



PART NUMBER	CORD GRIP SIZE	CABLE RANGE
223C7M40PG	1-1/2"	.79" TO 1.02"
223C7M40PH	1-1/2"	.87" TO 1.26"

TOLERANCES UNLESS OTHERWISE SPECIFIED	
MACHINED SURFACES $\sqrt[125]{\text{MAX}}$	ENGLISH 0.X ±0.05 0.XX ±0.01 0.XXX ±0.005
GROUND SURFACES $\sqrt[32]{\text{MAX}}$	
ANGLE TOLERANCE ±1°	
REMOVE BURRS & SHARP EDGES TO .015 MAX.	
DIMENSIONS SHOWN IN OVALS ARE INSPECTION DIMENSIONS.	

		DRAWING TITLE:	
DRAWN	APPROVED	POLY BOX 160X160 W/O TERMINAL BLOCKS W/CORD GRIP	
DATE:	SCALE	MATERIAL:	
	NTS	BLACK POLY BOX, BLACK POLY ANGLE	
SHEET:	PART NUMBER		REVISION
1 OF 1	223C7M40Px		