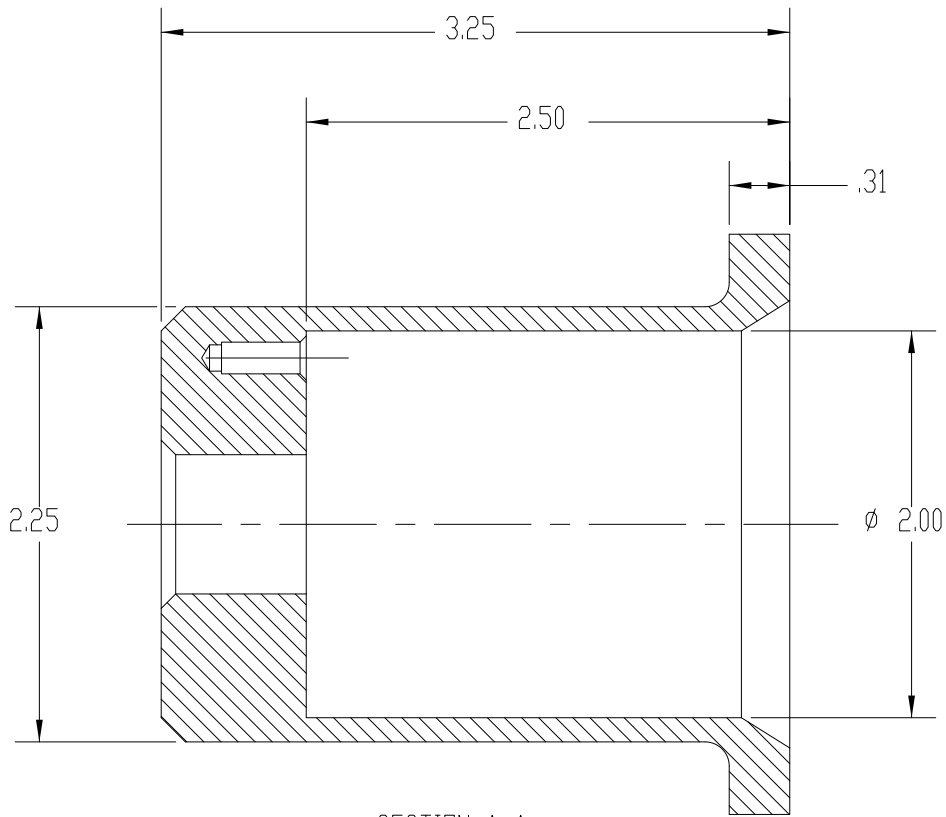
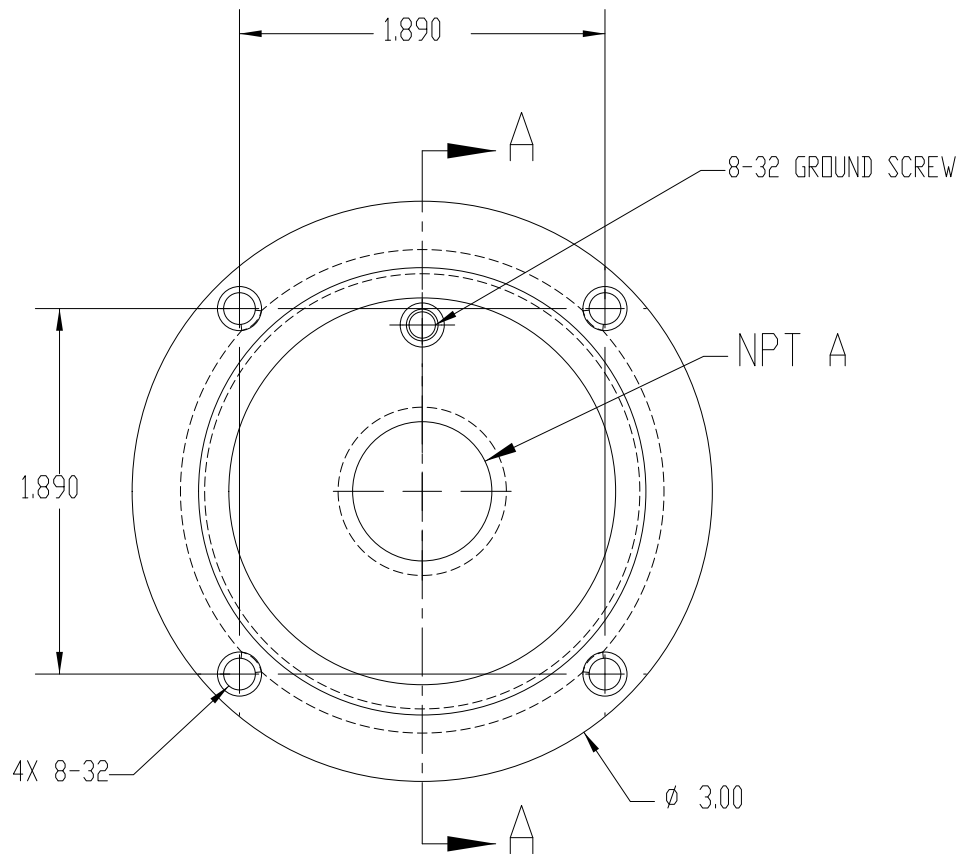
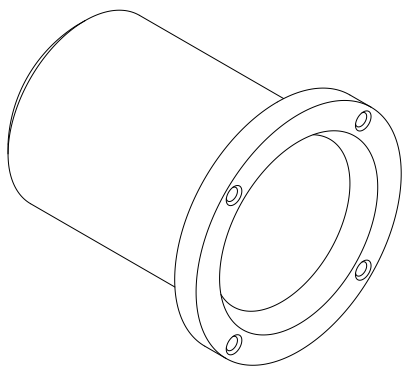


This drawing is the property of MELTRIC Corporation, Franklin (Milwaukee), Wisconsin, USA. Any unauthorized copying of this drawing by any means, or disclosure of its contents to any person not authorized by MELTRIC Corporation or its agents to receive it, is strictly prohibited.



SECTION A-A  
SCALE 1 : 1



PART NUMBER	NPT SIZE "A"
7X2P0N05	1/2" NPT
7X2P0N07	3/4" NPT
7X2P0N10	1" NPT
7X2P0N12	1-1/4" NPT

TOLERANCES UNLESS OTHERWISE SPECIFIED		 A COMPANY OF MARÉCHAL ÉLECTRIC	
MACHINED SURFACES $\sqrt{125 \text{ MAX}}$ GROUND SURFACES $\sqrt{32 \text{ MAX}}$ ANGLE TOLERANCE $\pm 1^\circ$ REMOVE BURRS & SHARP EDGES TO .015 MAX.	ENGLISH 0.X $\pm 0.05$ 0.XX $\pm 0.01$ 0.XXX $\pm 0.005$		
DIMENSIONS SHOWN IN OVALS ARE INSPECTION DIMENSIONS.		DRAWING TITLE: STAINLESS STEEL HANDLE	
		SHEET: 1 OF 1	MATERIAL: STAINLESS STEEL
		PART NUMBER 7X2P0Nxx	
		REVISION	