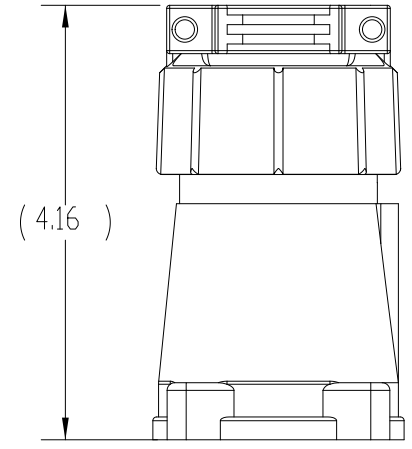
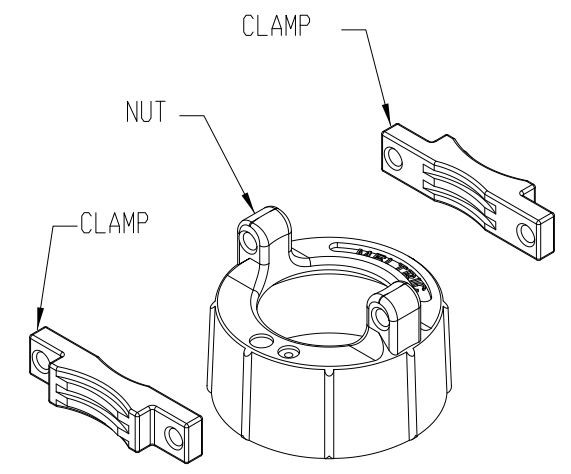
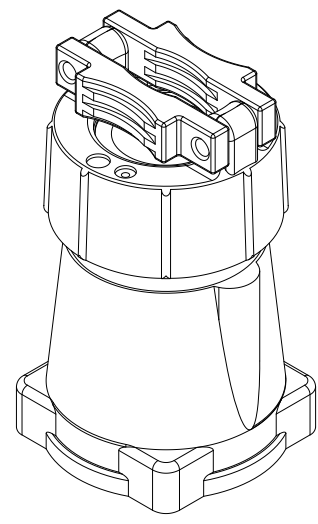
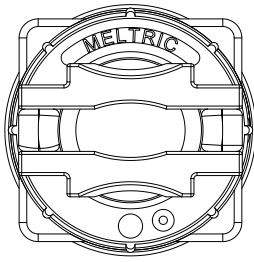
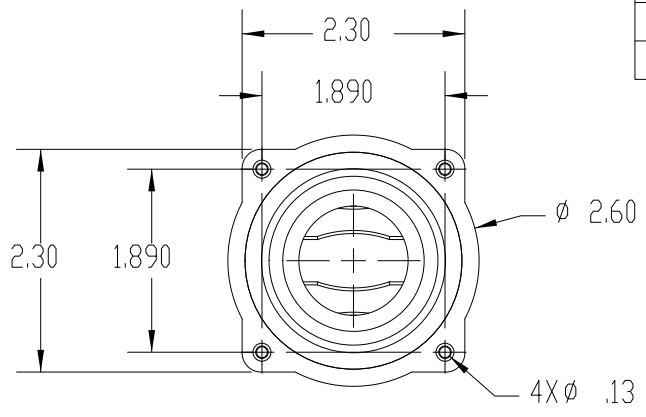
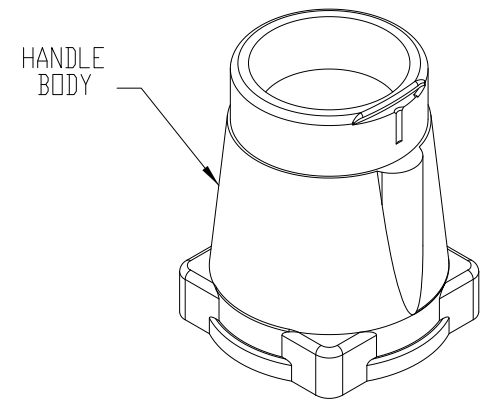
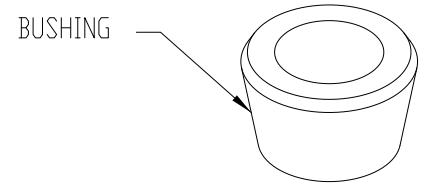
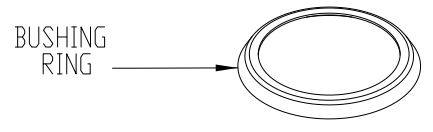


This drawing is the property of MELTRIC Corporation, Franklin (Milwaukee), Wisconsin, USA. Any unauthorized copying of this drawing by any means, or disclosure of its contents to any person not authorized by MELTRIC Corporation or its agents to receive it, is strictly prohibited.



PART NUMBER	CABLE RANGE
712POS14	.750" - .875"
712POS16	.875" - 1.000"
712POS18	1.000" - 1.125"
712POS20	1.125" - 1.250"
712POS22	1.250" - 1.375"



TOLERANCES UNLESS OTHERWISE SPECIFIED	
MACHINED SURFACES	125 $\sqrt{\text{MAX}}$
GROUND SURFACES	32 $\sqrt{\text{MAX}}$
ANGLE TOLERANCE	$\pm 1^\circ$
REMOVE BURRS & SHARP EDGES TO .015 MAX.	
DIMENSIONS SHOWN IN OVALS ARE INSPECTION DIMENSIONS.	

ENGLISH  
 0.X  $\pm 0.05$   
 0.XX  $\pm 0.01$   
 0.XXX  $\pm 0.005$

 A COMPANY OF MARECHAL ELECTRIC			
DRAWN	APPROVED	DRAWING TITLE:	
DATE:		POLY HANDLE WITH CABLE CLAMP	
SCALE		MATERIAL:	
NTS		BLUE POLY	
SHEET:		PART NUMBER	
1 OF 1		712POSxx	
		REVISION	