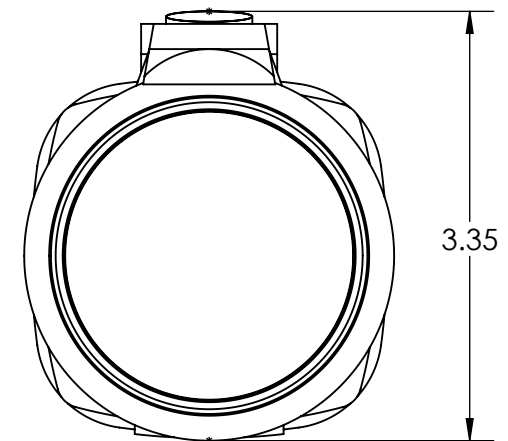
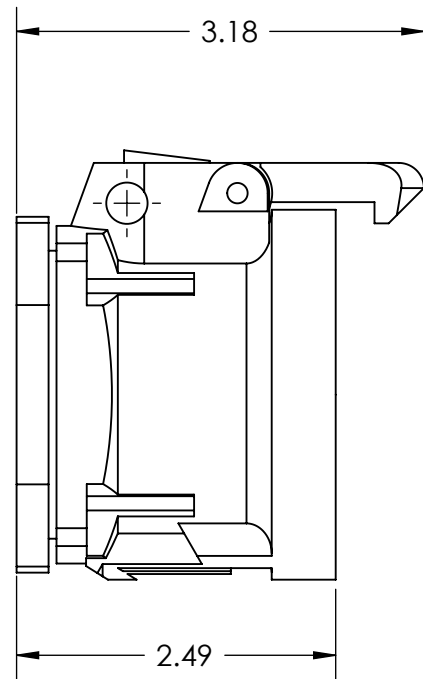
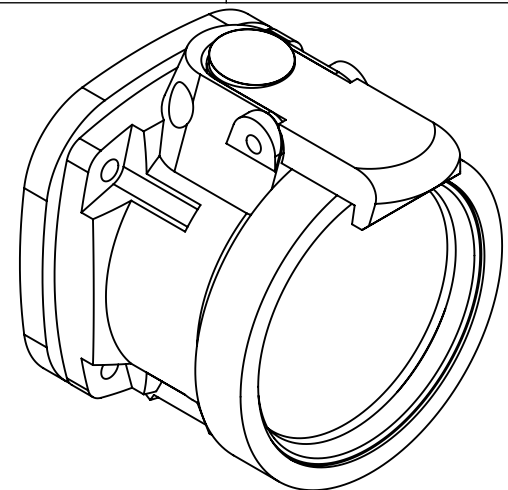
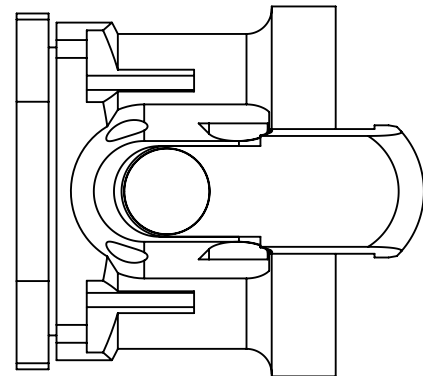
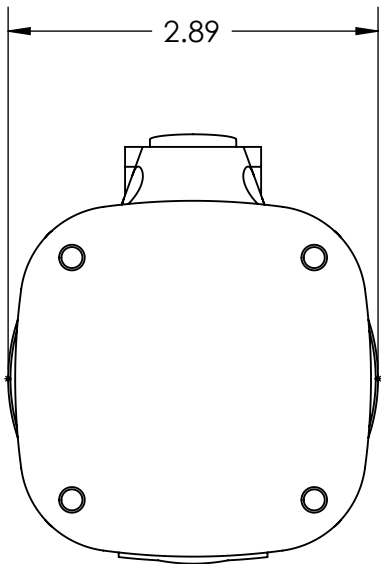


This drawing is the property of MELTRIC Corporation, Franklin (Milwaukee) Wisconsin, USA. Any unauthorized copying of this drawing by any means, ENGR/D/06 REV: 21 ISSUED DATE: 10/7/16 or disclosure of its contents to any person not authorized by MELTRIC Corporation or its agents to receive it, is strictly prohibited.

G F E D C B A



1


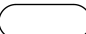
2

3

4

5

6

TOLERANCES UNLESS OTHERWISE SPECIFIED		 A COMPANY OF MARÉCHAL ÉLECTRIC			
MACHINED SURFACES $\sqrt[125]{\text{MAX}}$	ENGLISH				
GROUND SURFACES $\sqrt[32]{\text{MAX}}$	0.X ±0.05	DRAWN	APPROVED	DRAWING TITLE:	
ANGLE TOLERANCE ±1°	0.XX ±0.01	DATE:		SCALE	MATERIAL:
REMOVE BURRS & SHARP EDGES TO .015 MAX.	0.XXX ±0.005	SHEET:		NTS	POLY
 DIMENSIONS SHOWN IN OVALS ARE INSPECTION DIMENSIONS.		1 OF 1		PART NUMBER	REVISION
				61-3A826	