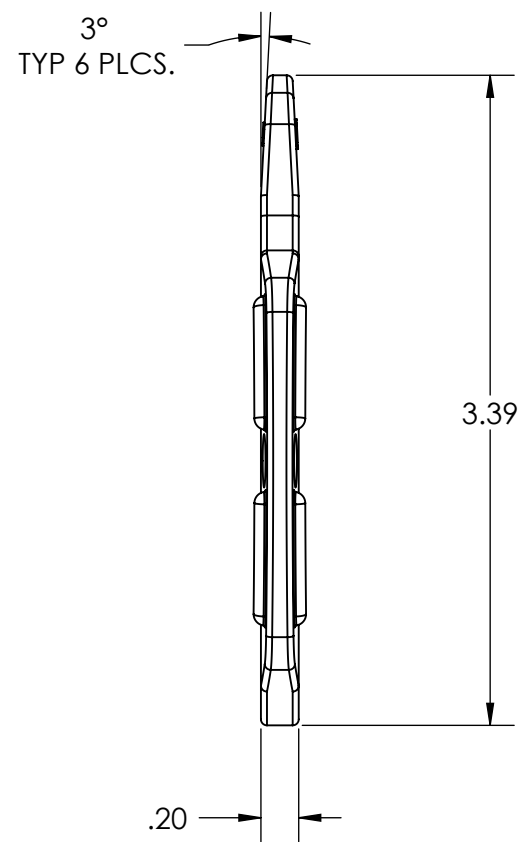
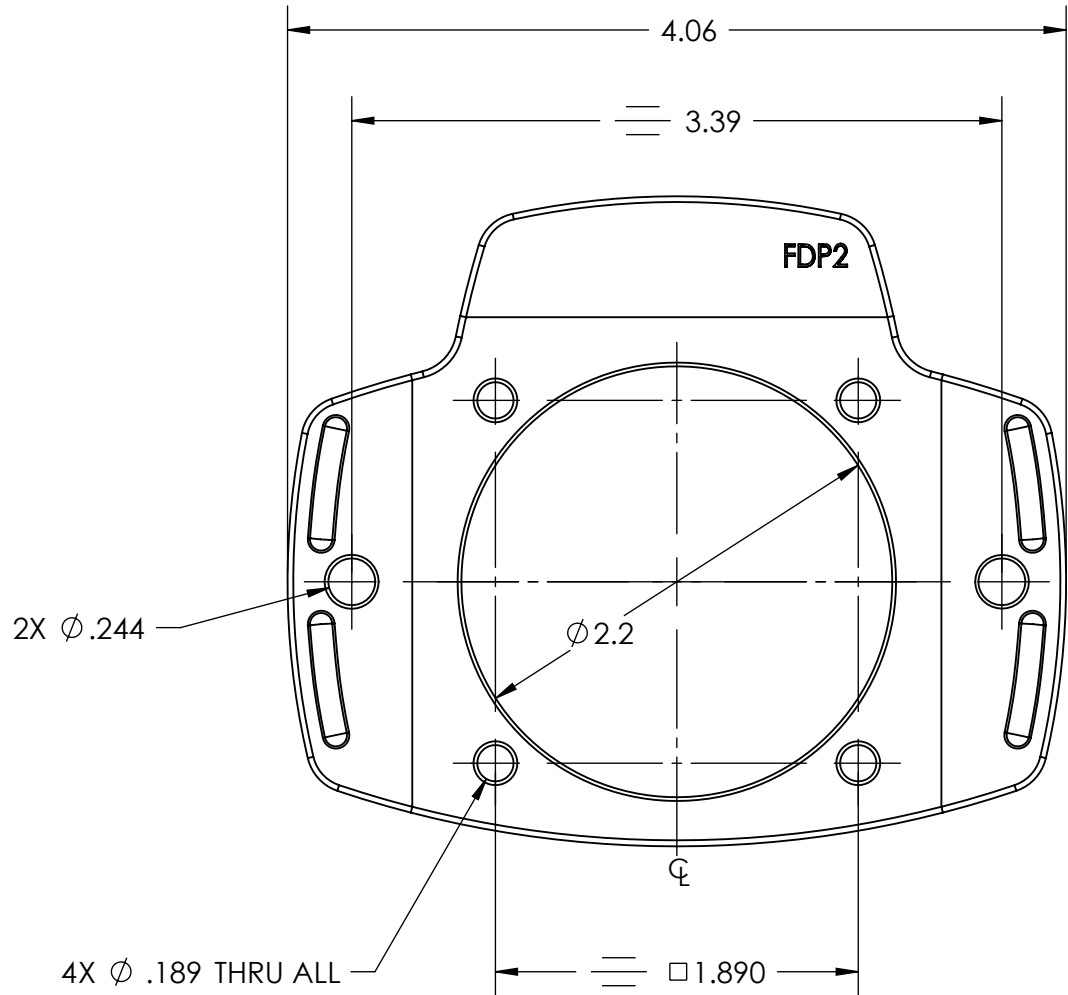
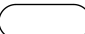



This drawing is the property of MELTRIC Corporation, Franklin (Milwaukee) Wisconsin, USA. Any unauthorized copying of this drawing by any means, or disclosure of its contents to any person not authorized by MELTRIC Corporation or its agents to receive it, is strictly prohibited. ENG/RD/06 REV: 21 ISSUED DATE: 10/7/16



TOLERANCES UNLESS OTHERWISE SPECIFIED	
MACHINED SURFACES $\sqrt[125]{\text{MAX}}$	ENGLISH 0.X ±0.05 0.XX ±0.01 0.XXX ±0.005
GROUND SURFACES $\sqrt[32]{\text{MAX}}$	
ANGLE TOLERANCE ±1°	
REMOVE BURRS & SHARP EDGES TO .015 MAX.	
 DIMENSIONS SHOWN IN OVALS ARE INSPECTION DIMENSIONS.	

		DRAWING TITLE:	
A COMPANY OF MARÉCHAL ÉLECTRIC		FINGER DRAWPLATE	
DRAWN	APPROVED	SCALE	MATERIAL:
DATE:		NTS	PLASTIC
SHEET:	PART NUMBER		REVISION
1 OF 1	61-3A346		