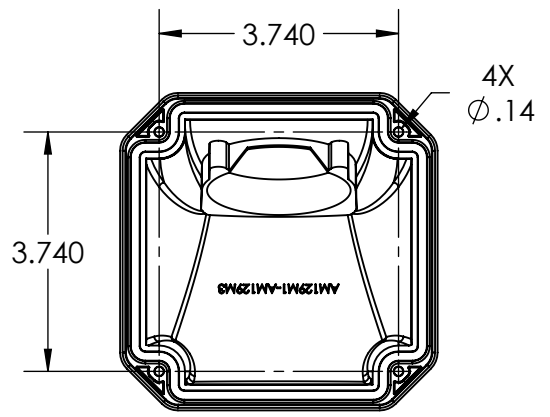
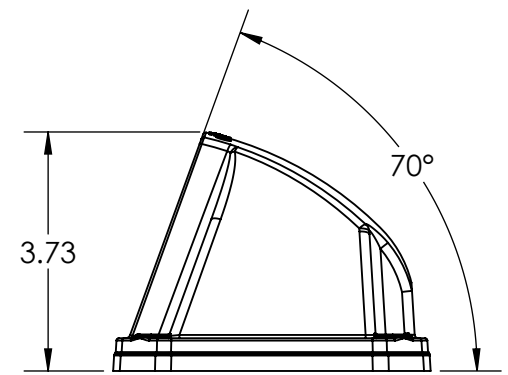
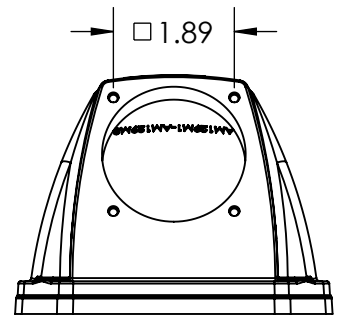
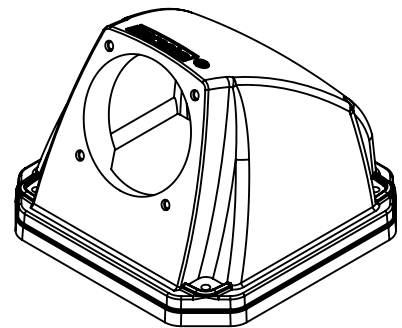
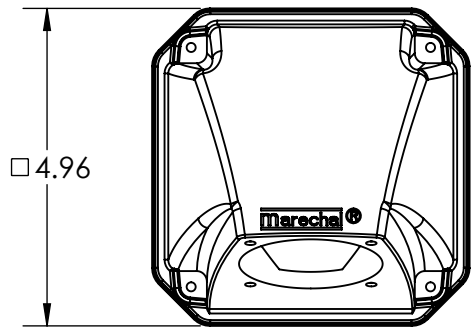

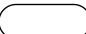


This drawing is the property of MELTRIC Corporation, Franklin (Milwaukee) Wisconsin, USA. Any unauthorized copying of this drawing by any means, ENG/RD/06 REV: 21 ISSUED DATE: 10/7/16 or disclosure of its contents to any person not authorized by MELTRIC Corporation or its agents to receive it, is strictly prohibited.



NOTES:
 1. INCLUDES GASKET AND SCREWS FOR PANEL MOUNTING.

| | | | |
|--|--------------|---|-----------|
| TOLERANCES UNLESS OTHERWISE SPECIFIED | |  A COMPANY OF MARÉCHAL ELECTRIC | |
| MACHINED SURFACES $\sqrt[125]{\text{MAX}}$ | ENGLISH | | |
| GROUND SURFACES $\sqrt[32]{\text{MAX}}$ | 0.X ±0.05 | DRAWING TITLE: | |
| ANGLE TOLERANCE ±1° | 0.XX ±0.01 | 70° POLY ANGLE SIZE 2 | |
| REMOVE BURRS & SHARP EDGES TO .015 MAX. | 0.XXX ±0.005 | DATE: | SCALE |
|  DIMENSIONS SHOWN IN OVALS ARE INSPECTION DIMENSIONS. | | SHEET: | MATERIAL: |
| | | 1 OF 1 | NTS |
| | | PART NUMBER | |
| | | 512M7 | REVISION |