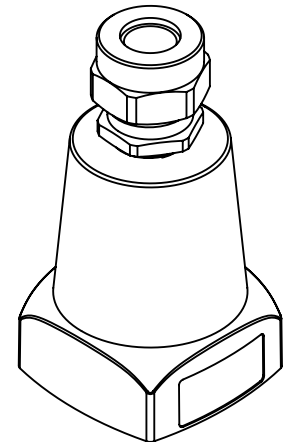
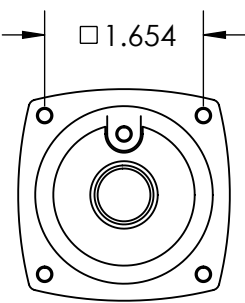
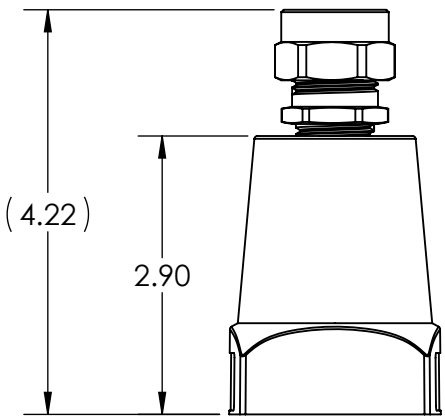
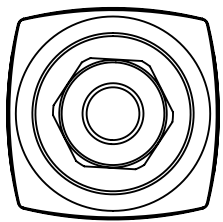


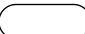
This drawing is the property of MELTRIC Corporation, Franklin (Milwaukee) Wisconsin, USA. Any unauthorized copying of this drawing by any means, ENGR/D/06 REV: 21 ISSUED DATE: 10/7/16 or disclosure of its contents to any person not authorized by MELTRIC Corporation or its agents to receive it, is strictly prohibited.


G F E D C B A

1
2
3
4
5
6



PART NUMBER	CABLE RANGE
791POBS3L	.438" TO .500"
791POBS4L	.500" TO .562"
791POCS1L	.562" TO .625"
791POCS4L	.625" TO .750"

TOLERANCES UNLESS OTHERWISE SPECIFIED	
MACHINED SURFACES $\sqrt[125]{\text{MAX}}$	ENGLISH 0.X ±0.05 0.XX ±0.01 0.XXX ±0.005
GROUND SURFACES $\sqrt[32]{\text{MAX}}$	
ANGLE TOLERANCE ±1°	
REMOVE BURRS & SHARP EDGES TO .015 MAX.	
 DIMENSIONS SHOWN IN OVALS ARE INSPECTION DIMENSIONS.	

 A COMPANY OF MARÉCHAL ÉLECTRIC			
DRAWN	APPROVED	DRAWING TITLE:	
		METAL HANDLE WITH CORD GRIP	
DATE:	SCALE	MATERIAL:	
	NTS	METAL HANDLE	
SHEET:	PART NUMBER		REVISION
1 OF 1	791POxSxL		