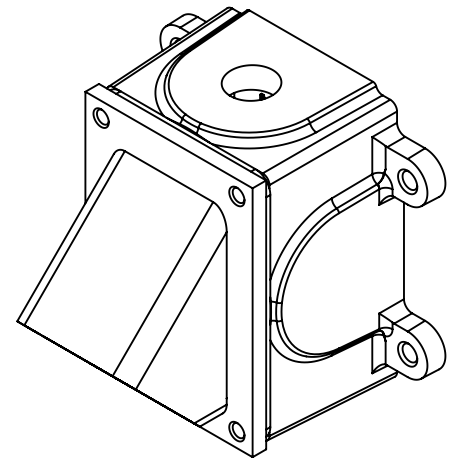
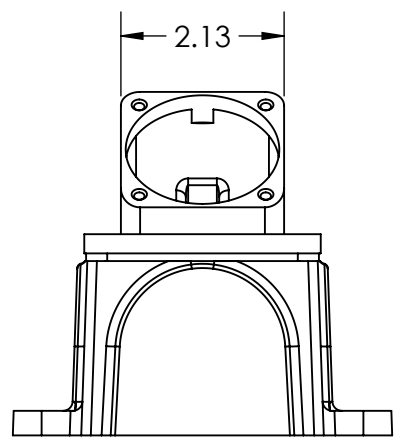
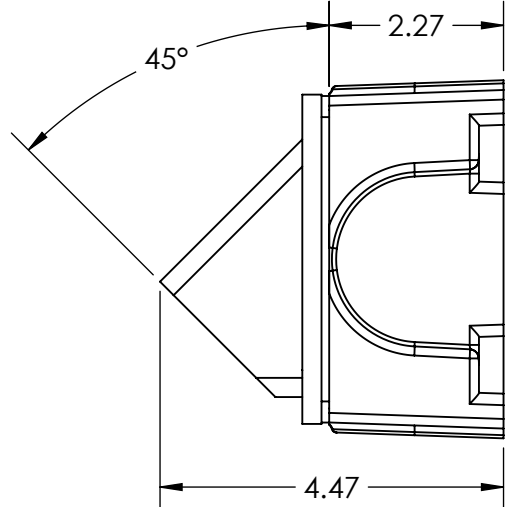
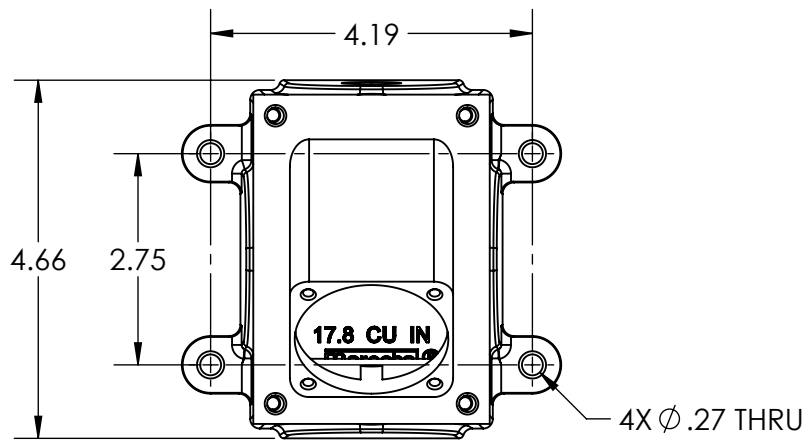
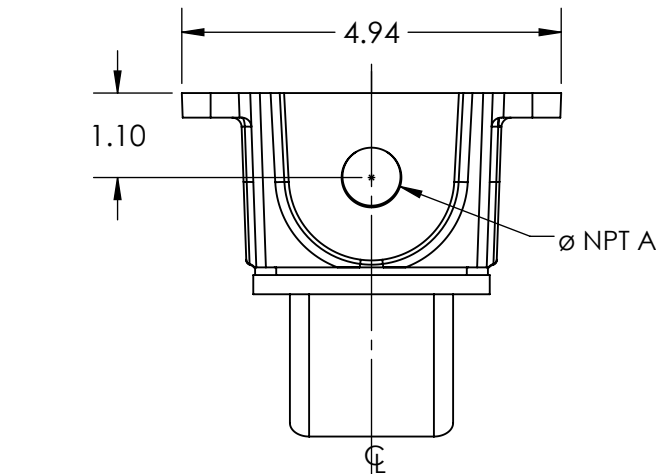
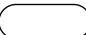


This drawing is the property of MELTRIC Corporation, Franklin (Milwaukee), Wisconsin, USA. Any unauthorized copying of this drawing by any means, ENG/RD/06 REV: 20 ISSUED DATE: 1/15/11 or disclosure of its contents to any person not authorized by MELTRIC Corporation or its agents to receive it, is strictly prohibited.



PART NUMBER	NPT "A"
771C4N05	1/2" NPT
771C4N07	3/4" NPT
771C4N10	1" NPT
771C4N12	1 1/4" NPT

TOLERANCES UNLESS OTHERWISE SPECIFIED

MACHINED SURFACES $\sqrt[125]{\text{MAX}}$	<b>ENGLISH</b>
GROUND SURFACES $\sqrt[32]{\text{MAX}}$	
ANGLE TOLERANCE $\pm 1^\circ$	0.X $\pm 0.05$
REMOVE BURRS & SHARP EDGES TO .015 MAX.	0.XX $\pm 0.01$
 DIMENSIONS SHOWN IN OVALS ARE INSPECTION DIMENSIONS.	0.XXX $\pm 0.005$

**MELTRIC**  
A COMPANY OF MARÉCHAL ÉLECTRIC

DRAWN	APPROVED	DRAWING TITLE:	
DATE:		METAL BOX/ANGLE COMBO	
SCALE		MATERIAL:	
NTS		BARE METAL	
SHEET:		PART NUMBER	
1 OF 1		771C4Nxx185	
			REVISION