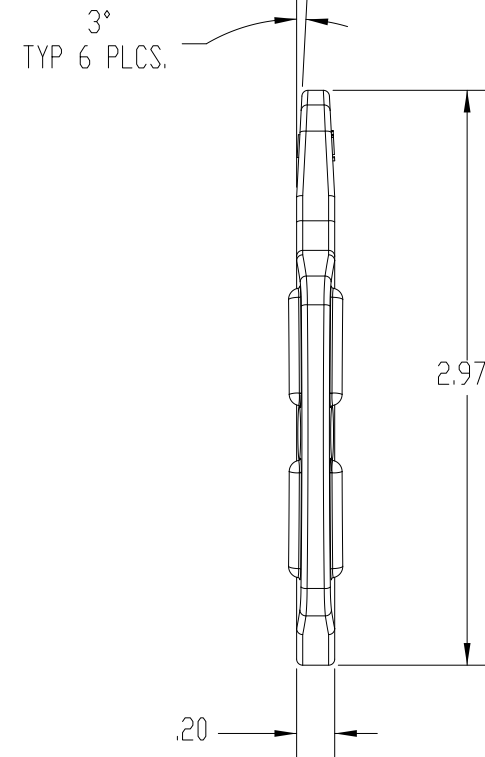
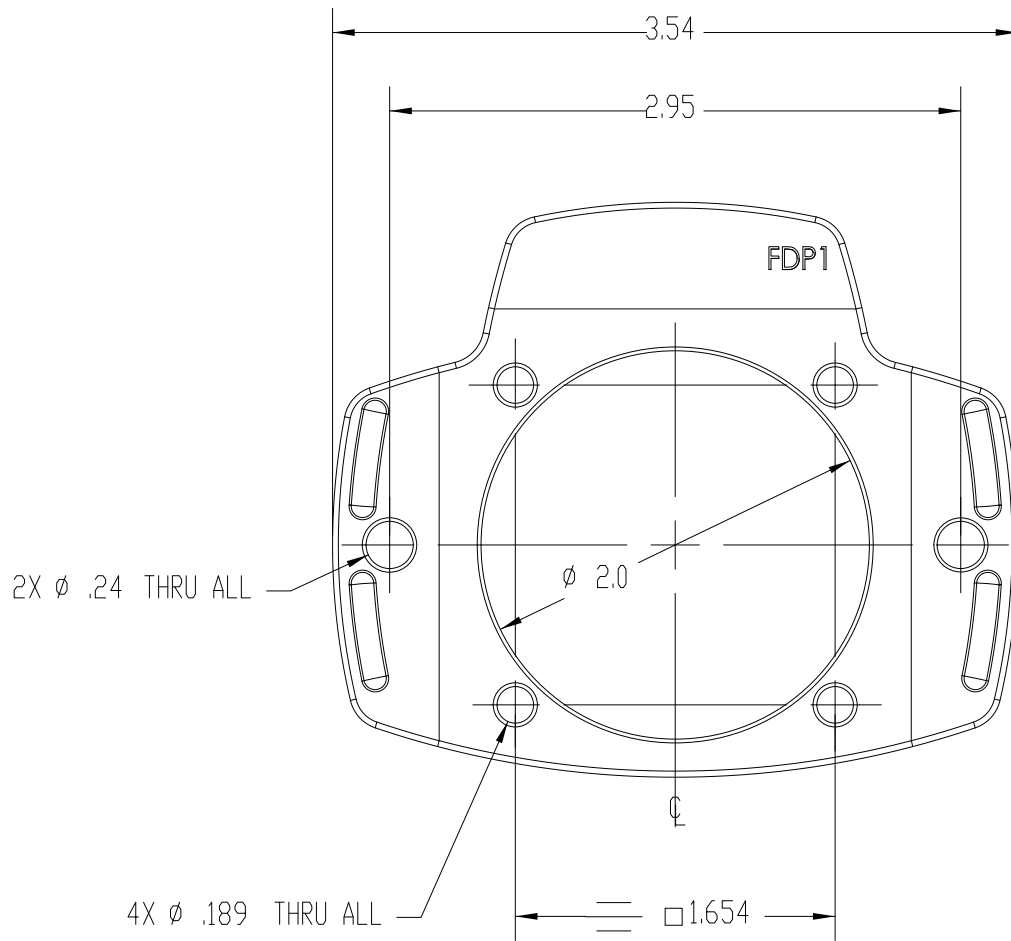


This drawing is the property of MELTRIC Corporation, Franklin (Milwaukee), Wisconsin, USA. Any unauthorized copying of this drawing by any means, or disclosure of its contents to any person not authorized by MELTRIC Corporation or its agents to receive it, is strictly prohibited.



TOLERANCES UNLESS OTHERWISE SPECIFIED		MELTRIC	
MACHINED SURFACES	$125 \sqrt{\text{MAX}}$	A COMPANY OF MARÉCHAL ELECTRIC	
GROUND SURFACES	$32 \sqrt{\text{MAX}}$	DRAWN	APPROVED
ANGLE TOLERANCE	$\pm 1^\circ$	DRAWING TITLE:	
REMOVE BURRS & SHARP EDGES TO .015 MAX.		DATE:	MATERIAL:
		SCALE	BLACK PLASTIC
		SHEET:	PART NUMBER
		1 OF 1	61-1A346
			REVISION