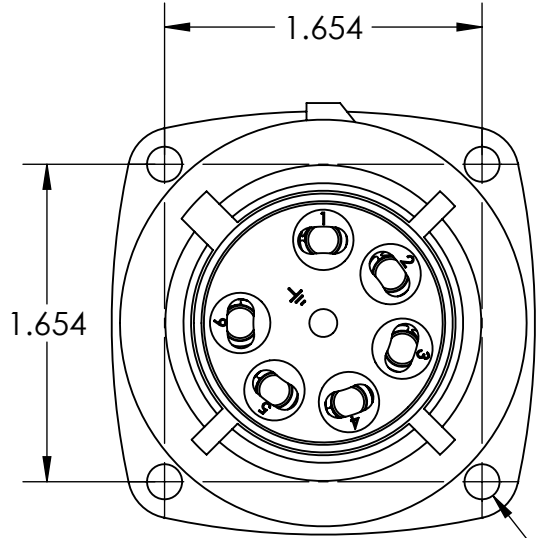
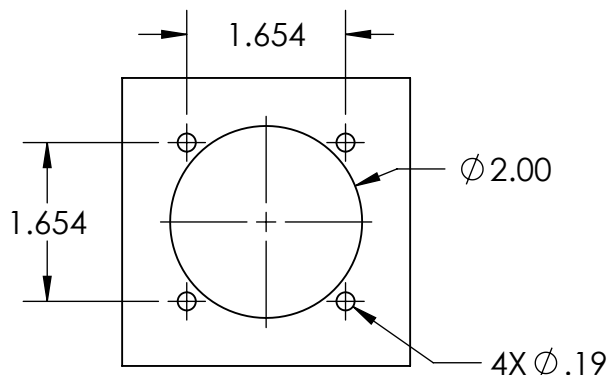
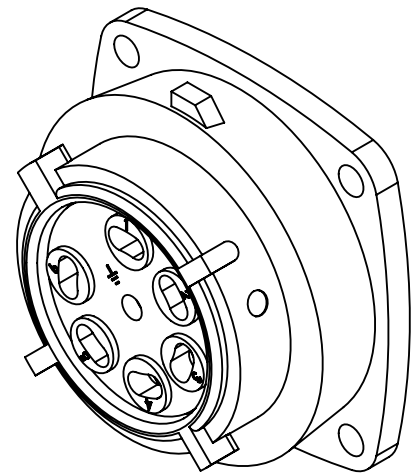
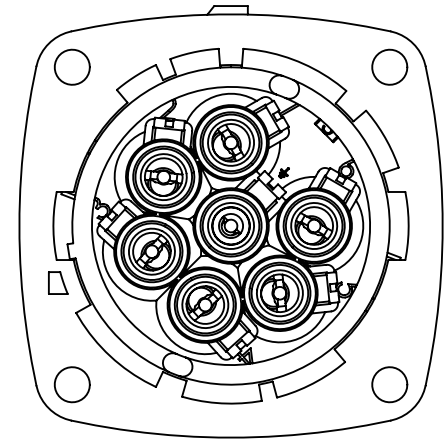
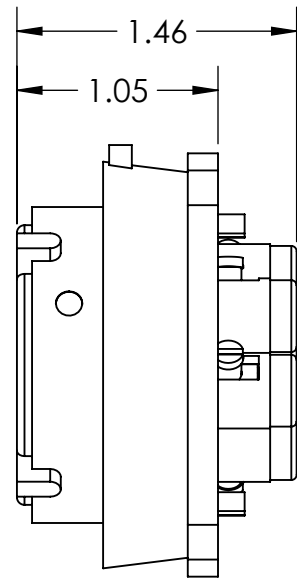



This drawing is the property of MELTRIC Corporation, Franklin (Milwaukee) Wisconsin, USA. Any unauthorized copying of this drawing by any means, ENG/RD/06 REV: 20 ISSUED DATE: 1/15/11 or disclosure of its contents to any person not authorized by MELTRIC Corporation or its agents to receive it, is strictly prohibited.



4X ϕ .18



ENTRY HOLE PATTERN

TOLERANCES UNLESS OTHERWISE SPECIFIED		 A COMPANY OF MARÉCHAL ELECTRIC		
$\sqrt[125]{\text{MAX}}$ $\sqrt[32]{\text{MAX}}$ GROUND SURFACES ANGLE TOLERANCE $\pm 1^\circ$ REMOVE BURRS & SHARP EDGES TO .015 MAX.	ENGLISH 0.X ± 0.05 0.XX ± 0.01 0.XXX ± 0.005			DRAWING TITLE: PN7C RECEPTACLE
		DATE:	SCALE: NTS	MATERIAL: BLUE POLY CASING
		SHEET: 1 OF 1	PART NUMBER: 01-P8xxx-001	
				REVISION