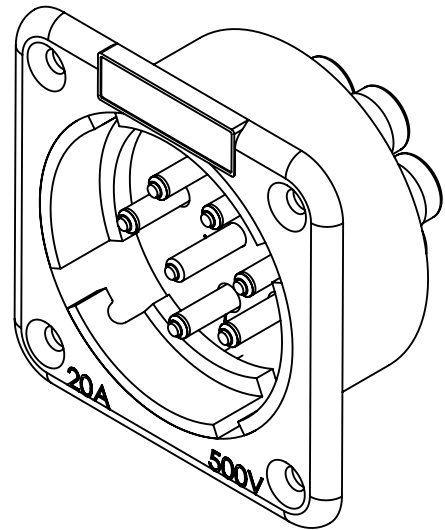
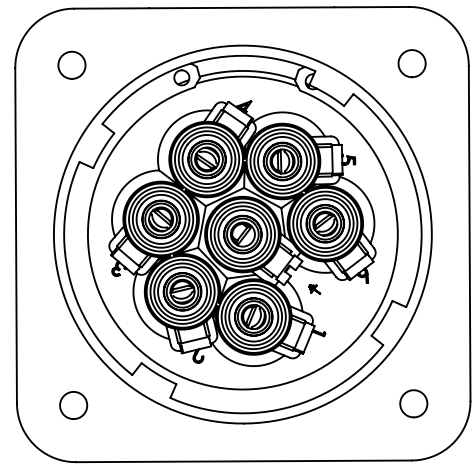
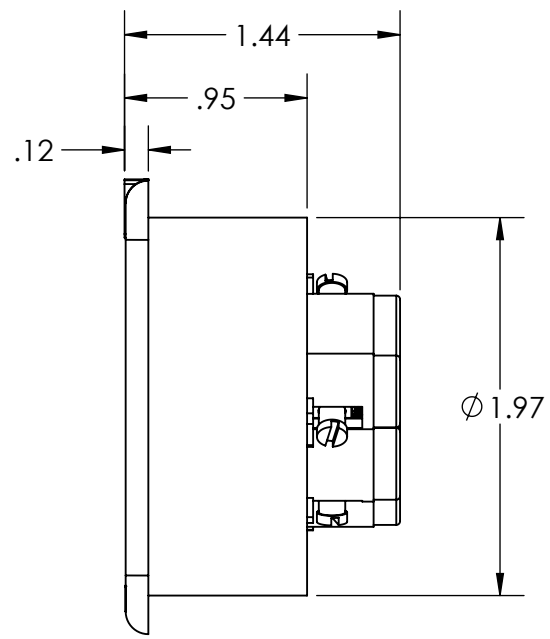
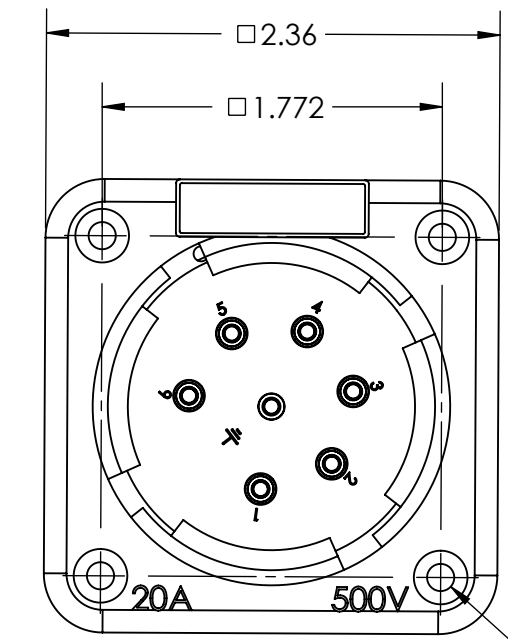


This drawing is the property of MELTRIC Corporation, Franklin (Milwaukee), Wisconsin, USA. Any unauthorized copying of this drawing by any means, ENG/RD/06 REV: 21 ISSUED DATE: 10/7/16 or disclosure of its contents to any person not authorized by MELTRIC Corporation or its agents to receive it, is strictly prohibited.



TOLERANCES UNLESS OTHERWISE SPECIFIED		 MELTRIC A COMPANY OF MARÉCHAL ÉLECTRIC	
MACHINED SURFACES $\sqrt[125]{\text{MAX}}$	ENGLISH		
GROUND SURFACES $\sqrt[32]{\text{MAX}}$	0.X ±0.05	DRAWING TITLE:	
ANGLE TOLERANCE ±1°	0.XX ±0.01	PN7c RECEPTACLE, FLUSH MOUNT	
REMOVE BURRS & SHARP EDGES TO .015 MAX.	0.XXX ±0.005	DATE:	MATERIAL:
DIMENSIONS SHOWN IN OVALS ARE INSPECTION DIMENSIONS.		SCALE	PLASTIC HOUSING
		SHEET: 1 OF 1	PART NUMBER
			01-P4xxx-001-142
			REVISION