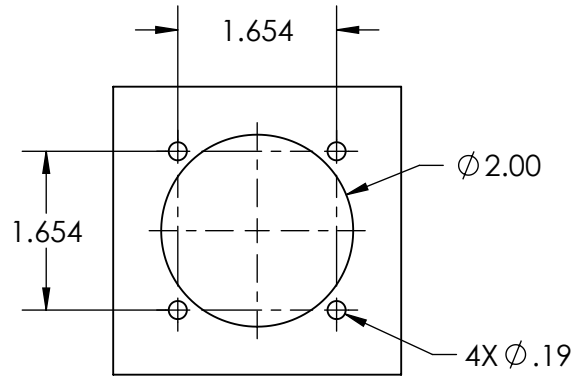
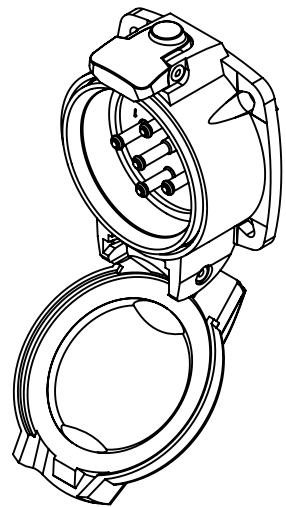
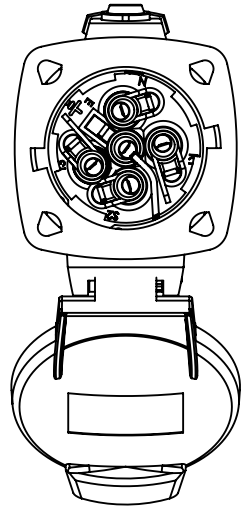
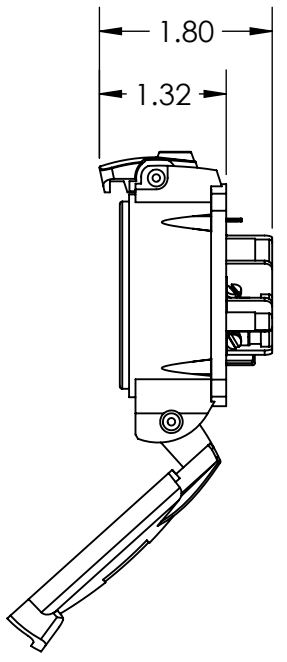
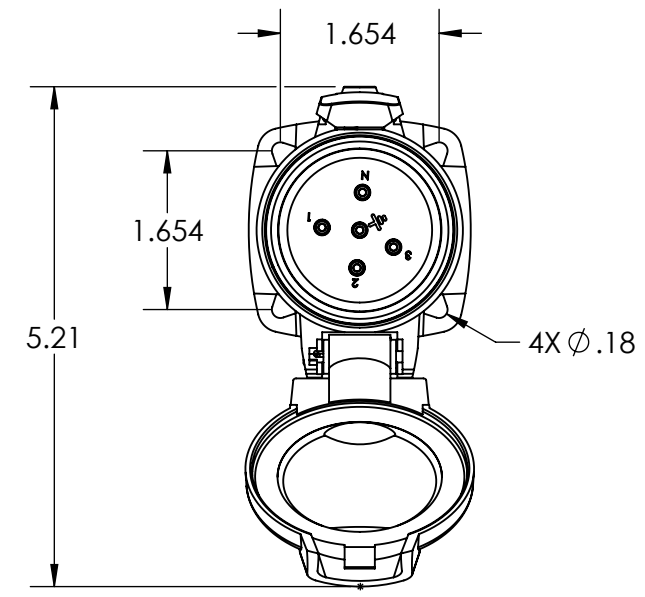

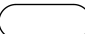


This drawing is the property of MELTRIC Corporation, Franklin (Milwaukee) Wisconsin, USA. Any unauthorized copying of this drawing by any means, ENG/RD/06 REV: 21 ISSUED DATE: 10/7/16 or disclosure of its contents to any person not authorized by MELTRIC Corporation or its agents to receive it, is strictly prohibited.



ENTRY HOLE PATTERN

TOLERANCES UNLESS OTHERWISE SPECIFIED		 A COMPANY OF MARÉCHAL ÉLECTRIC			
MACHINED SURFACES $\sqrt[125]{\text{MAX}}$	ENGLISH			DRAWN	APPROVED
GROUND SURFACES $\sqrt[32]{\text{MAX}}$	0.X ±0.05	DATE:	SCALE	MATERIAL:	REVISION
ANGLE TOLERANCE ±1°	0.XX ±0.01		NTS	METAL CASING	
REMOVE BURRS & SHARP EDGES TO .015 MAX.	0.XXX ±0.005	SHEET:	PART NUMBER		
 DIMENSIONS SHOWN IN OVALS ARE INSPECTION DIMENSIONS.		1 OF 1	09-N4xxx-001		