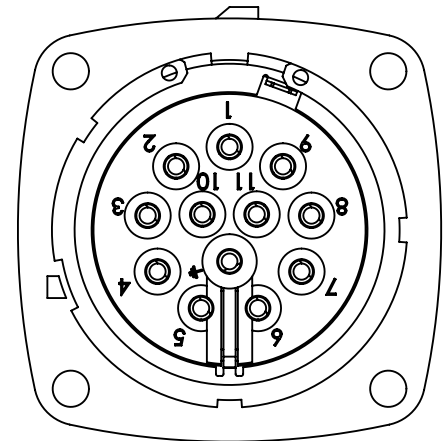
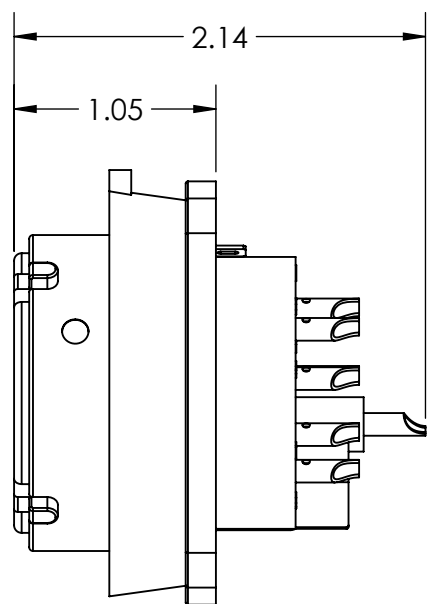
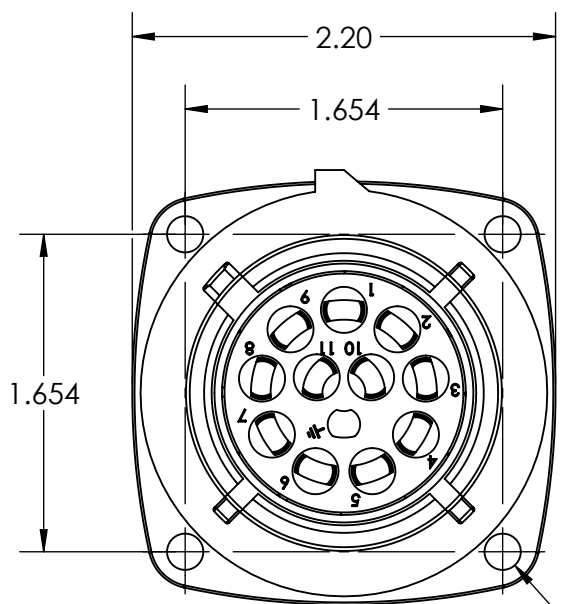
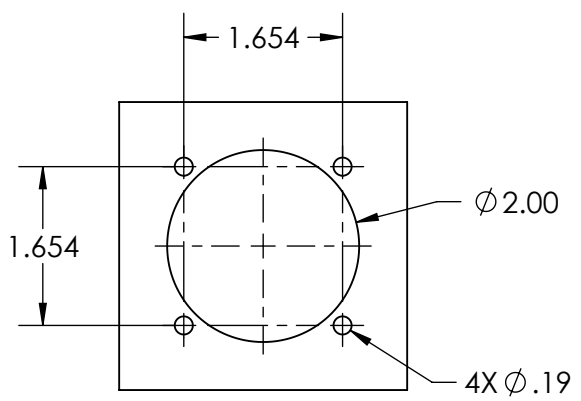
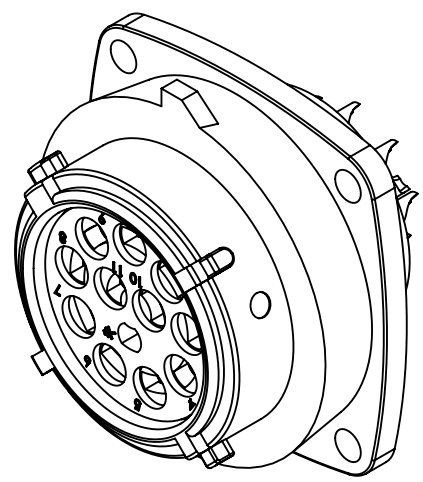


This drawing is the property of MELTRIC Corporation, Franklin (Milwaukee) Wisconsin, USA. Any unauthorized copying of this drawing by any means, ENG/RD/06 REV: 21 ISSUED DATE: 10/7/16 or disclosure of its contents to any person not authorized by MELTRIC Corporation or its agents to receive it, is strictly prohibited.



4X  $\phi .19$



ENTRY HOLE PATTERN

TOLERANCES UNLESS OTHERWISE SPECIFIED		 A COMPANY OF MARÉCHAL ÉLECTRIC			
MACHINED SURFACES $\sqrt[125]{\text{MAX}}$	ENGLISH			DRAWN	APPROVED
GROUND SURFACES $\sqrt[32]{\text{MAX}}$	0.X $\pm 0.05$	DATE:		SCALE	MATERIAL:
ANGLE TOLERANCE $\pm 1^\circ$	0.XX $\pm 0.01$	DATE:		NTS	METAL CASING
REMOVE BURRS & SHARP EDGES TO .015 MAX.	0.XXX $\pm 0.005$	SHEET:		PART NUMBER	
DIMENSIONS SHOWN IN OVALS ARE INSPECTION DIMENSIONS.		1 OF 1		07-A8001-001	
				REVISION	

1  
2  
3  
4  
5  
6