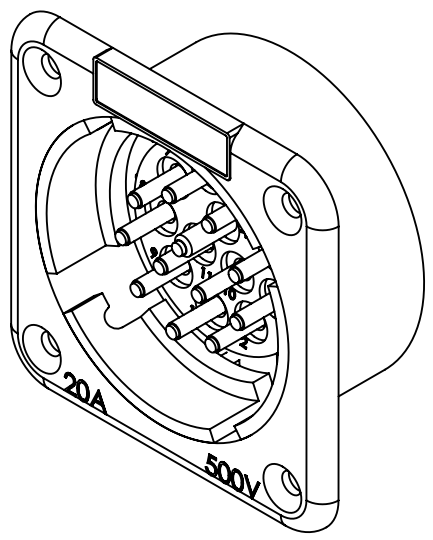
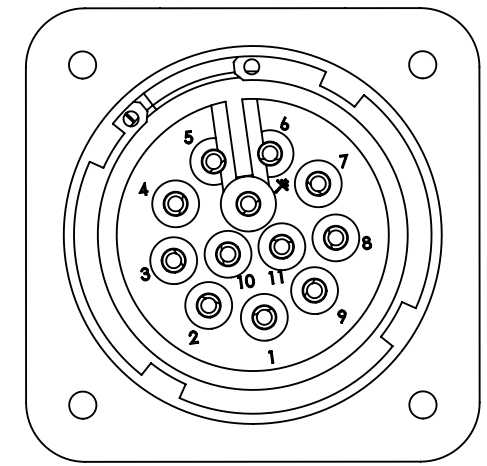
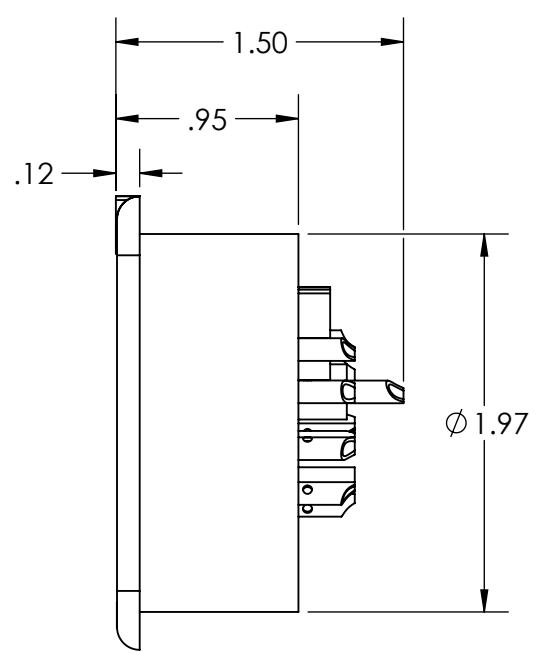
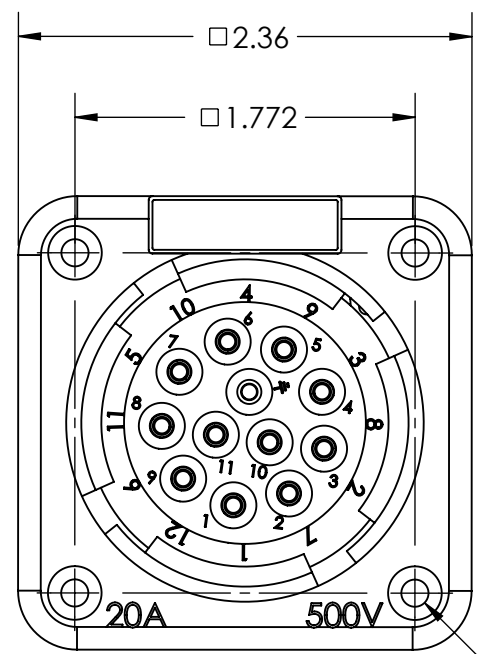


This drawing is the property of MELTRIC Corporation, Franklin (Milwaukee), Wisconsin, USA. Any unauthorized copying of this drawing by any means, ENG/RD/06 REV: 21 ISSUED DATE: 10/7/16 or disclosure of its contents to any person not authorized by MELTRIC Corporation or its agents to receive it, is strictly prohibited.

G F E D C B A



| | | | | |
|--|---|--|-------------------------------|---------------------------|
| TOLERANCES UNLESS OTHERWISE SPECIFIED | | MELTRIC A COMPANY OF MARÉCHAL ELECTRIC | | |
| MACHINED SURFACES $\sqrt[125]{\text{MAX}}$ | GROUND SURFACES $\sqrt[32]{\text{MAX}}$ | | | DRAWN |
| ANGLE TOLERANCE $\pm 1^\circ$ | REMOVE BURRS & SHARP EDGES TO .015 MAX. | DRAWING TITLE: | | |
| ENGLISH 0.X ± 0.05 0.XX ± 0.01 0.XXX ± 0.005 | | PN12c INLET, FLUSH MOUNT | | |
| | | DATE: | SCALE: NTS | MATERIAL: PLASTIC HOUSING |
| DIMENSIONS SHOWN IN OVALS ARE INSPECTION DIMENSIONS. | | SHEET: 1 OF 1 | PART NUMBER: 03-A4001-001-142 | REVISION: |

1
2
3
4
5
6