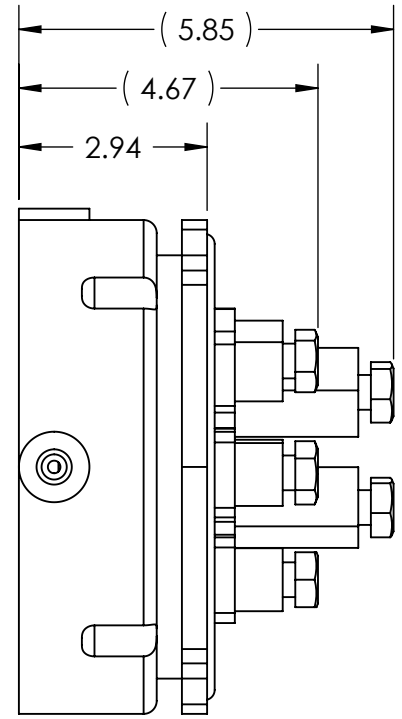
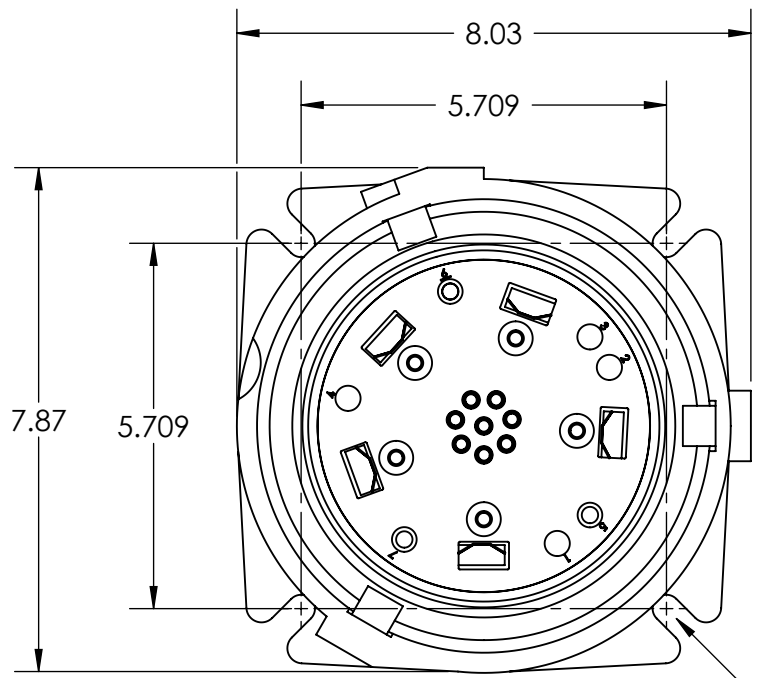
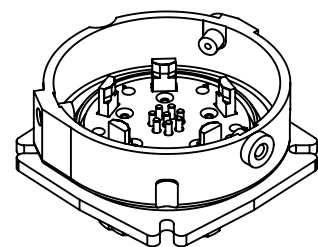
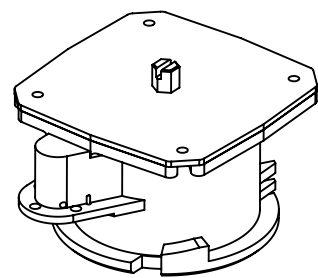


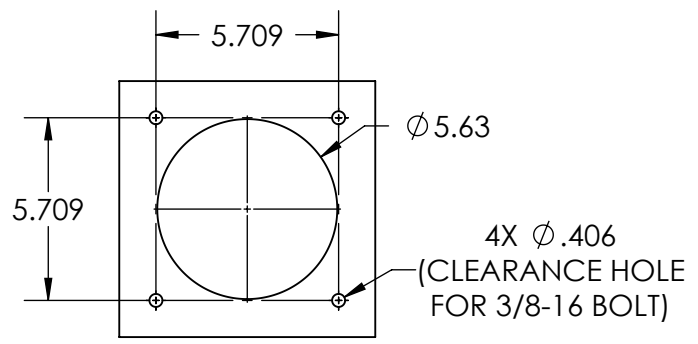
This drawing is the property of MELTRIC Corporation, Franklin (Milwaukee), Wisconsin, USA. Any unauthorized copying of this drawing by any means, ENG/RD/06 REV: 20 ISSUED DATE: 1/15/11 or disclosure of its contents to any person not authorized by MELTRIC Corporation or its agents to receive it, is strictly prohibited.



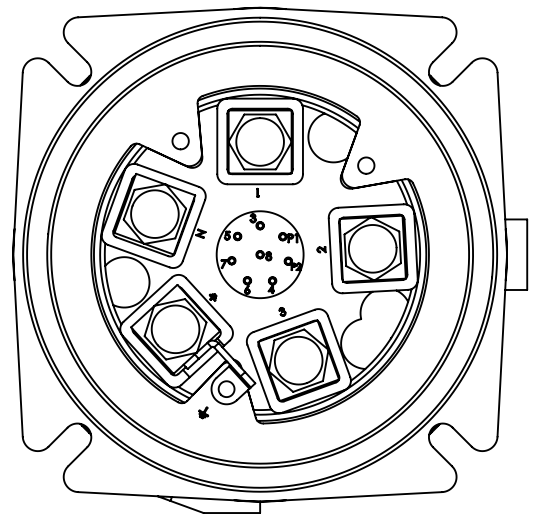
4X ϕ .433



APPROX WEIGHTS:
 INLET = 9 LBS.
 CAP = 7 LBS.



ENTRY HOLE PATTERN



TOLERANCES UNLESS OTHERWISE SPECIFIED	
MACHINED SURFACES $\sqrt[125]{\text{MAX}}$	ENGLISH 0.X \pm 0.05 0.XX \pm 0.01 0.XXX \pm 0.005
GROUND SURFACES $\sqrt[32]{\text{MAX}}$	
ANGLE TOLERANCE $\pm 1^\circ$	
REMOVE BURRS & SHARP EDGES TO .015 MAX.	
DIMENSIONS SHOWN IN OVALS ARE INSPECTION DIMENSIONS.	

		DRAWING TITLE:	
DRAWN	APPROVED	PFQ300 INLET AND CAP	
DATE:	SCALE	MATERIAL:	
	NTS	METAL	
SHEET:	PART NUMBER		REVISION
1 OF 1	47-38xxx		