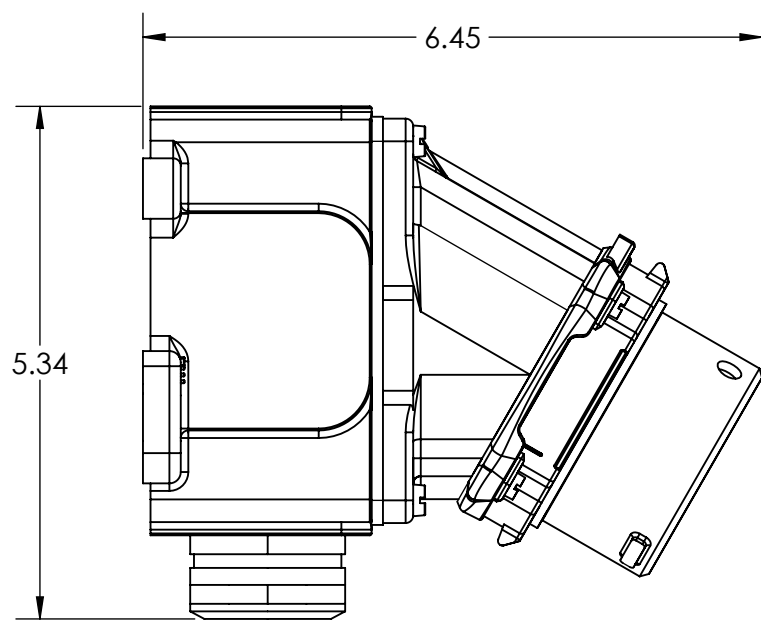
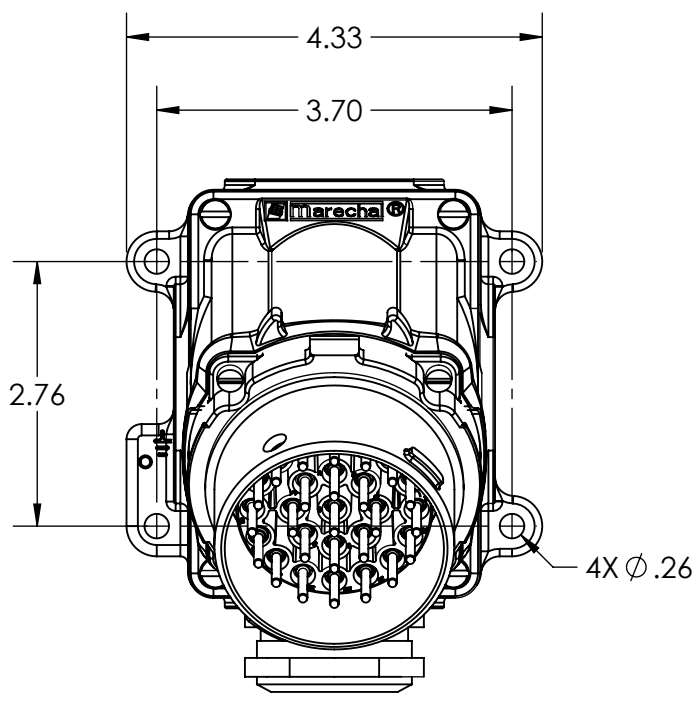
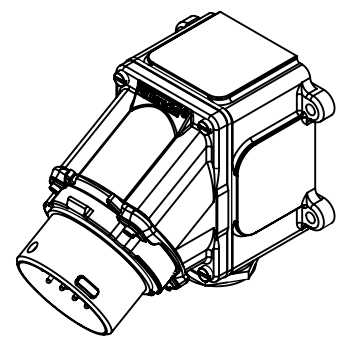


This drawing is the property of MELTRIC Corporation, Franklin (Milwaukee) Wisconsin, USA. Any unauthorized copying of this drawing by any means, ENG/RD/06 REV: 21 ISSUED DATE: 10/7/16 or disclosure of its contents to any person not authorized by MELTRIC Corporation or its agents to receive it, is strictly prohibited.

G F E D C B A



CABLE RANGE = .63" TO 1.063"

|                                                      |              |                                                      |       |
|------------------------------------------------------|--------------|------------------------------------------------------|-------|
| TOLERANCES UNLESS OTHERWISE SPECIFIED                |              | <br><b>MELTRIC</b><br>A COMPANY OF MARICHAL ELECTRIC |       |
| MACHINED SURFACES $\sqrt[125]{\text{MAX}}$           | ENGLISH      |                                                      |       |
| GROUND SURFACES $\sqrt[32]{\text{MAX}}$              | 0.X ±0.05    | DRAWING TITLE:                                       |       |
| ANGLE TOLERANCE ±1°                                  | 0.XX ±0.01   | DXN25c BOX/ANGLE/INLET                               |       |
| REMOVE BURRS & SHARP EDGES TO .015 MAX.              | 0.XXX ±0.005 | DATE:                                                | SCALE |
| DIMENSIONS SHOWN IN OVALS ARE INSPECTION DIMENSIONS. |              | MATERIAL:                                            |       |
|                                                      |              | SHEET:                                               | NTS   |
|                                                      |              | 1 OF 1                                               | METAL |
|                                                      |              | PART NUMBER                                          |       |
|                                                      |              | 36-D6002                                             |       |
|                                                      |              | REVISION                                             |       |