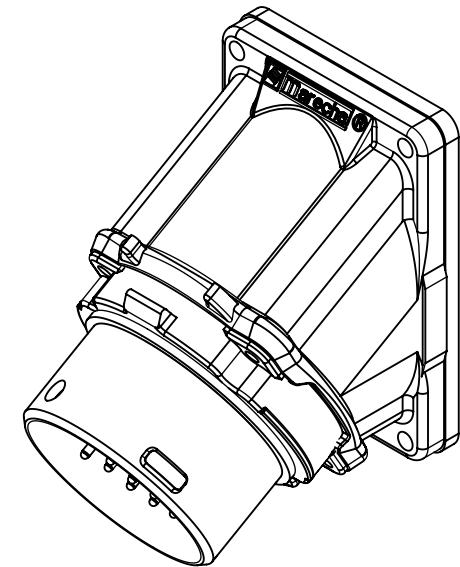
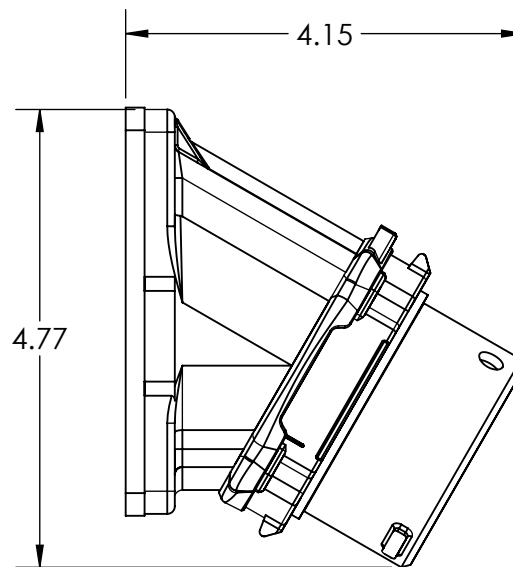
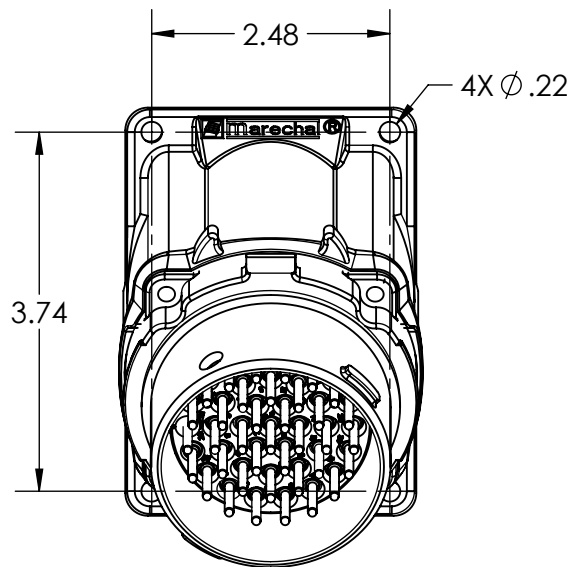



This drawing is the property of MELTRIC Corporation, Franklin (Milwaukee) Wisconsin, USA. Any unauthorized copying of this drawing by any means, ENG/RD/06 REV: 21 ISSUED DATE: 10/7/16 or disclosure of its contents to any person not authorized by MELTRIC Corporation or its agents to receive it, is strictly prohibited.



TOLERANCES UNLESS OTHERWISE SPECIFIED		 A COMPANY OF MARÉCHAL ÉLECTRIC			
MACHINED SURFACES $\sqrt[125]{\text{MAX}}$	<b>ENGLISH</b>  0.X ±0.05 0.XX ±0.01 0.XXX ±0.005				DRAWN
GROUND SURFACES $\sqrt[32]{\text{MAX}}$		DATE:	SCALE	NTS	MATERIAL:
ANGLE TOLERANCE ±1°	DIMENSIONS SHOWN IN OVALS ARE INSPECTION DIMENSIONS.	SHEET:	1 OF 1	PART NUMBER	REVISION
REMOVE BURRS & SHARP EDGES TO .015 MAX.		36-C9003			