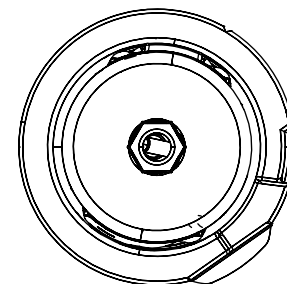
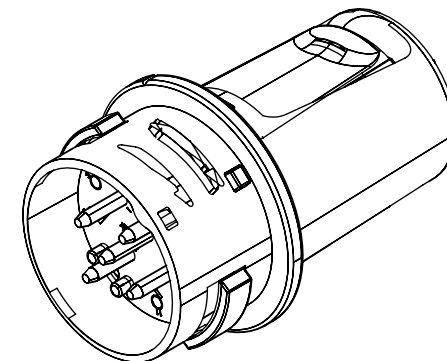
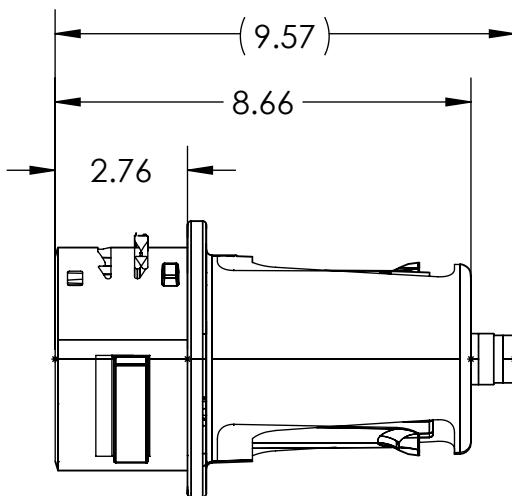
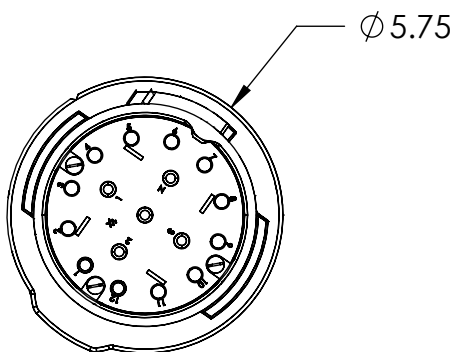


This drawing is the property of MELTRIC Corporation, Franklin (Milwaukee) Wisconsin, USA. Any unauthorized copying of this drawing by any means, ENG/RD/06 REV: 20 ISSUED DATE: 1/15/11 or disclosure of its contents to any person not authorized by MELTRIC Corporation or its agents to receive it, is strictly prohibited.

G | F | E | D | C | B | A

PART NUMBER	CABLE RANGE
26-61xxx-32M	.47"-.83"
26-61xxx-40M	.63"-1.06"



TOLERANCES UNLESS OTHERWISE SPECIFIED				<b>ENGLISH</b> 0.X ±0.05 0.XX ±0.01 0.XXX ±0.005	
MACHINED SURFACES $\sqrt{125}$ MAX	GROUND SURFACES $\sqrt{32}$ MAX				
ANGLE TOLERANCE ±1°	REMOVE BURRS & SHARP EDGES TO .015 MAX.		NTS	METAL CASING	
DIMENSIONS SHOWN IN OVALS ARE INSPECTION DIMENSIONS.		SHEET: 1 OF 1	PART NUMBER	REVISION	
			26-61xxx-xxx		