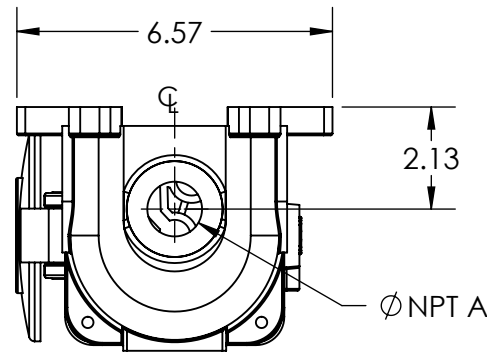
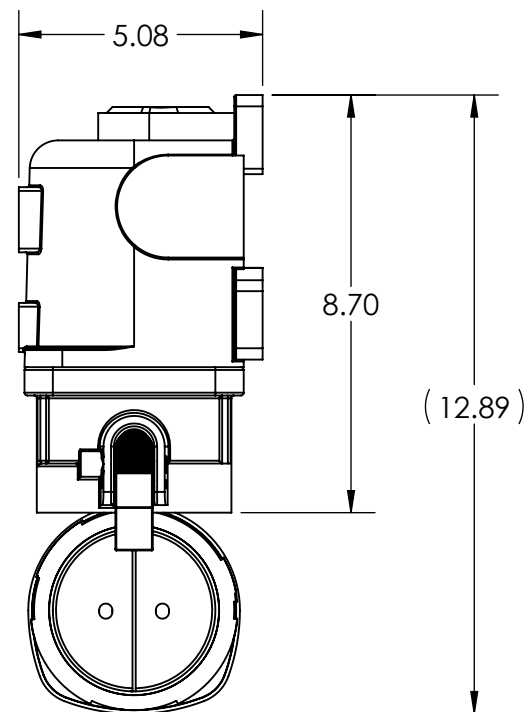
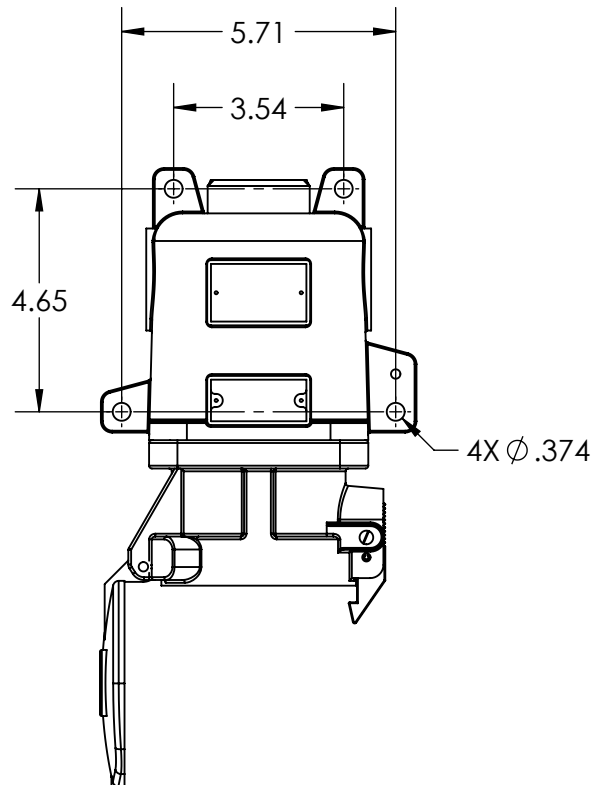
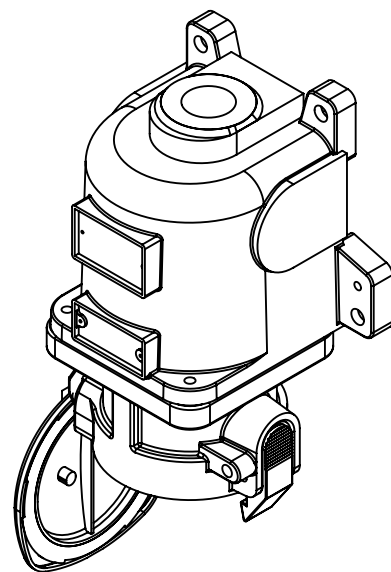


This drawing is the property of MELTRIC Corporation, Franklin (Milwaukee) Wisconsin, USA. Any unauthorized copying of this drawing by any means, ENGR/D/06 REV: 21 ISSUED DATE: 10/7/16 or disclosure of its contents to any person not authorized by MELTRIC Corporation or its agents to receive it, is strictly prohibited.



| PART NUMBER | NPT "A" SIZE |
|-------------|--------------|
| 26-30xxx-12 | 1/2" NPT |
| 26-30xxx-34 | 3/4" NPT |
| 26-30xxx-1 | 1" NPT |



| | | | | | |
|--|--------------|------------------------------------|--|----------------|-----------|
| TOLERANCES UNLESS OTHERWISE SPECIFIED | | A COMPANY OF MARÉCHAL ÉLECTRIC | | DRAWING TITLE: | |
| MACHINED SURFACES $\sqrt[125]{\text{MAX}}$ | ENGLISH | | | DRAWN | APPROVED |
| GROUND SURFACES $\sqrt[32]{\text{MAX}}$ | 0.X ±0.05 | DATE: | | SCALE | MATERIAL: |
| ANGLE TOLERANCE ±1° | 0.XX ±0.01 | SHEET: | | NTS | METAL |
| REMOVE BURRS & SHARP EDGES TO .015 MAX. | 0.XXX ±0.005 | 1 OF 1 | | PART NUMBER | |
| DIMENSIONS SHOWN IN OVALS ARE INSPECTION DIMENSIONS. | | | | 26-30xxx-xx | |
| | | | | REVISION | |