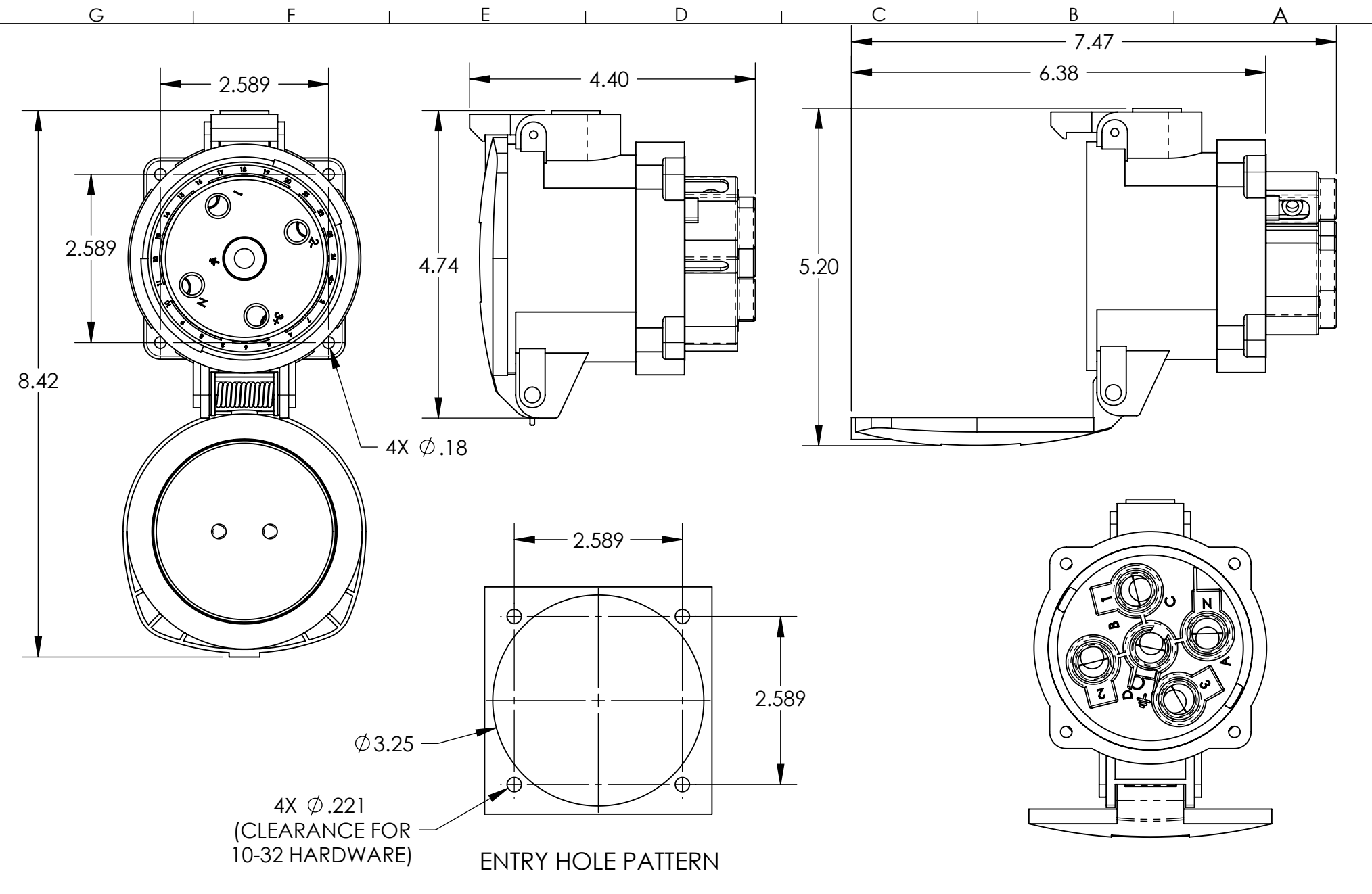


This drawing is the property of MELTRIC Corporation, Franklin (Milwaukee), Wisconsin, USA. Any unauthorized copying of this drawing by any means, ENG/RD/06 REV: 20 ISSUED DATE: 11/15/11 or disclosure of its contents to any person not authorized by MELTRIC Corporation or its agents to receive it, is strictly prohibited.



ENTRY HOLE PATTERN

TOLERANCES UNLESS OTHERWISE SPECIFIED				DRAWING TITLE:	
MACHINED SURFACES $\sqrt[125]{\text{MAX}}$	ENGLISH			DS100C METAL RECEPTACLE	
GROUND SURFACES $\sqrt[32]{\text{MAX}}$	0.X ±0.05	SCALE	MATERIAL:		
ANGLE TOLERANCE ±1°	0.XX ±0.01	DATE:	NTS METAL CASING		
REMOVE BURRS & SHARP EDGES TO .015 MAX.	0.XXX ±0.005	SHEET:	PART NUMBER		
DIMENSIONS SHOWN IN OVALS ARE INSPECTION DIMENSIONS.		1 OF 1	37-64xxx-C-Kxx		