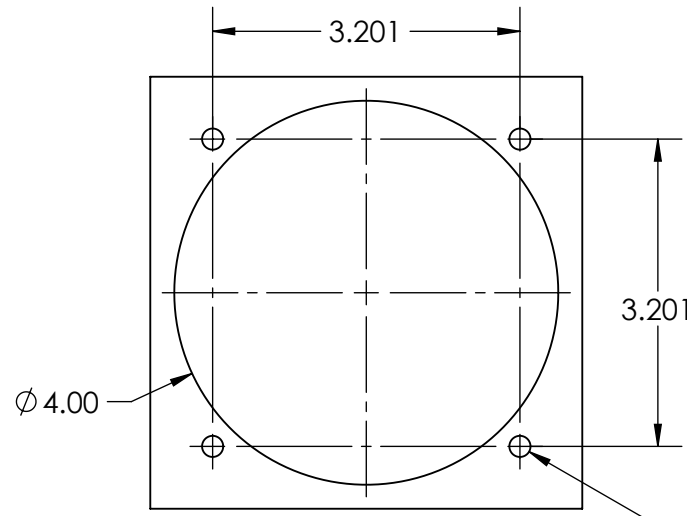
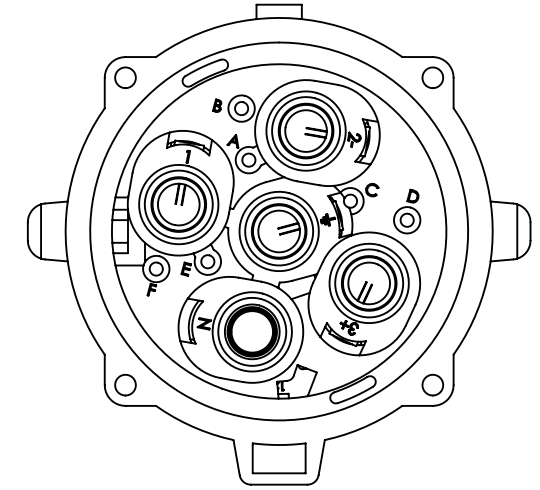
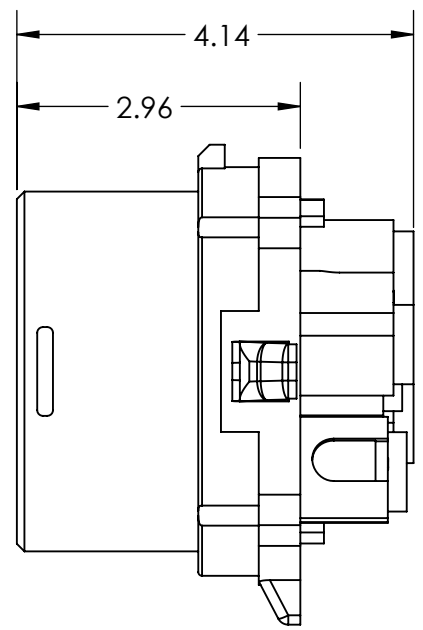
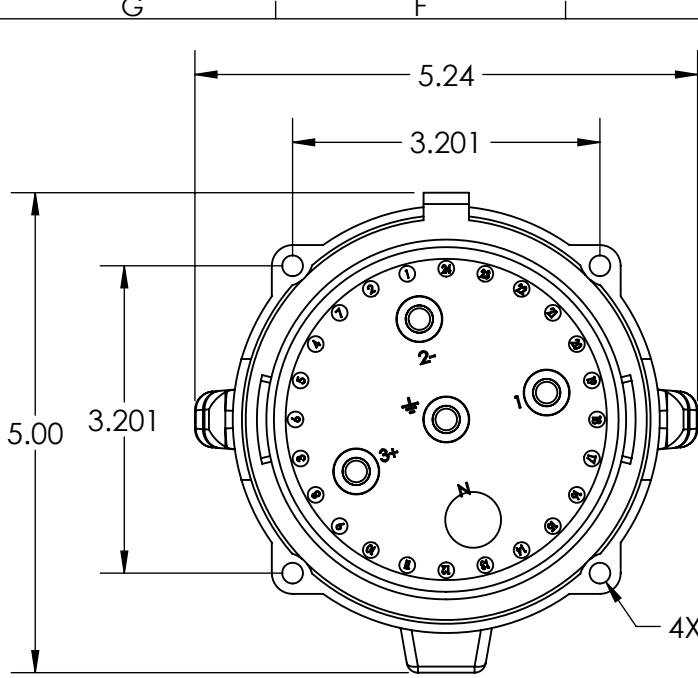
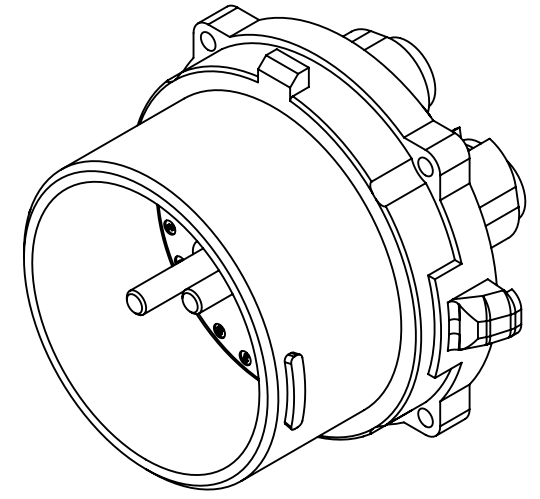


This drawing is the property of MELTRIC Corporation, Franklin (Milwaukee), Wisconsin, USA. Any unauthorized copying of this drawing by any means, ENG/RD/06 REV: 20 ISSUED DATE: 1/15/11 or disclosure of its contents to any person not authorized by MELTRIC Corporation or its agents to receive it, is strictly prohibited.



ENTRY HOLE PATTERN

4X ϕ .220
(CLEARANCE FOR
10-32 HARDWARE)



TOLERANCES UNLESS OTHERWISE SPECIFIED				DRAWING TITLE:	
MACHINED SURFACES $\sqrt[125]{\text{MAX}}$	ENGLISH 0.X \pm 0.05 0.XX \pm 0.01 0.XXX \pm 0.005			DS100 METAL INLET	
GROUND SURFACES $\sqrt[32]{\text{MAX}}$		DATE:	SCALE	METAL CASING	
ANGLE TOLERANCE \pm 1°	DIMENSIONS SHOWN IN OVALS ARE INSPECTION DIMENSIONS.	SHEET:	PART NUMBER		REVISION
REMOVE BURRS & SHARP EDGES TO .015 MAX.		1 OF 1	37-98xxx		