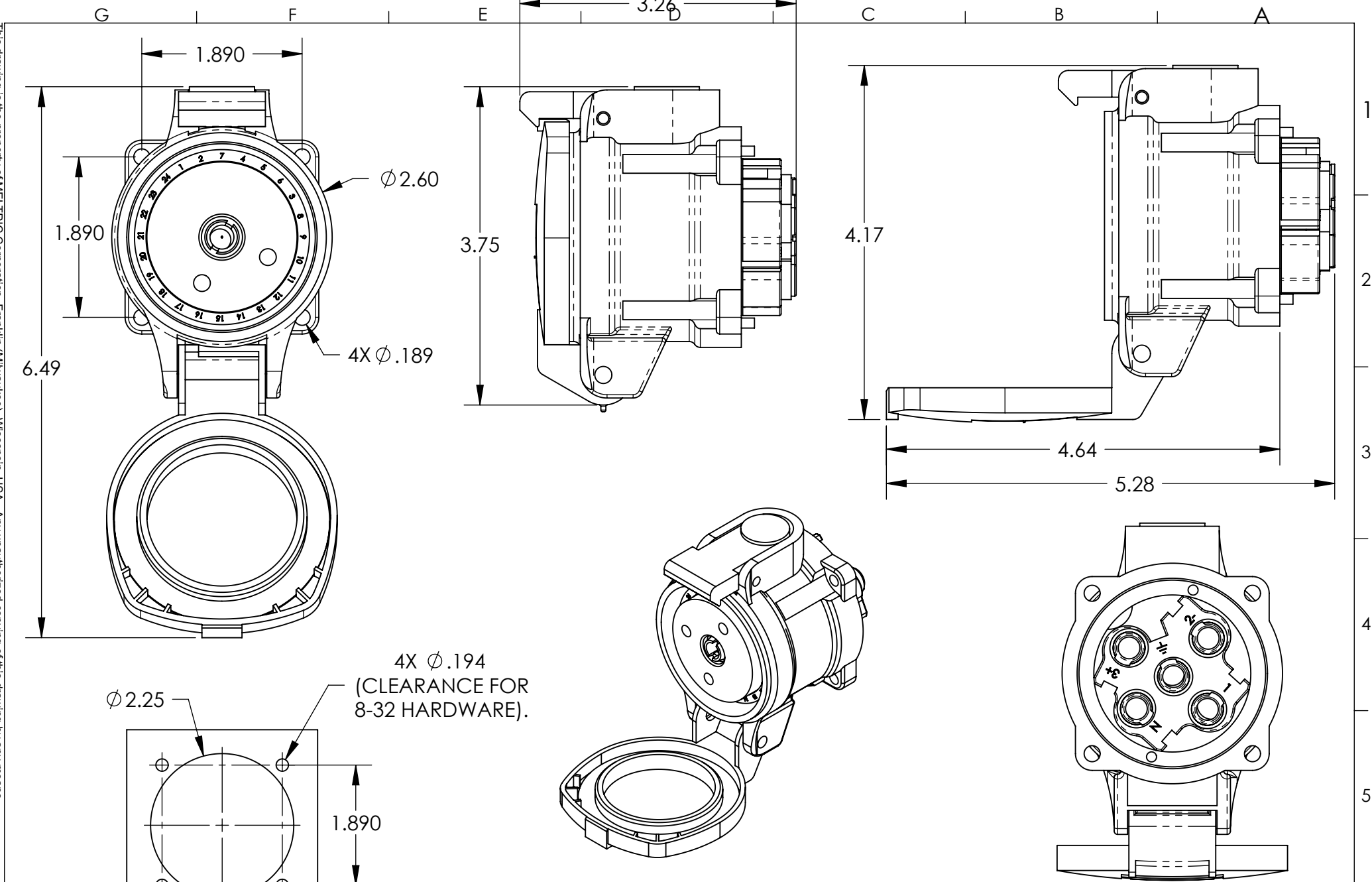


This drawing is the property of MELTRIC Corporation, Franklin (Milwaukee), Wisconsin, USA. Any unauthorized copying of this drawing by any means, ENG/RD/06 REV: 20 ISSUED DATE: 11/15/11 or disclosure of its contents to any person not authorized by MELTRIC Corporation or its agents to receive it, is strictly prohibited.



TOLERANCES UNLESS OTHERWISE SPECIFIED				<b>ENGLISH</b> $0.X \pm 0.05$ $0.XX \pm 0.01$ $0.XXX \pm 0.005$	
MACHINED SURFACES	$\sqrt{125} \text{ MAX}$				
GROUND SURFACES	$\sqrt{32} \text{ MAX}$	DATE:		DR30 RECEPTACLE	
ANGLE TOLERANCE $\pm 1^\circ$	REMOVE BURRS & SHARP EDGES TO .015 MAX.	SCALE		MATERIAL:	
DIMENSIONS SHOWN IN OVALS ARE INSPECTION DIMENSIONS.		SHEET:		BLUE POLY CASING	
		1 OF 1		PART NUMBER	
				REVISION	
				31-14xxx-Kxx	