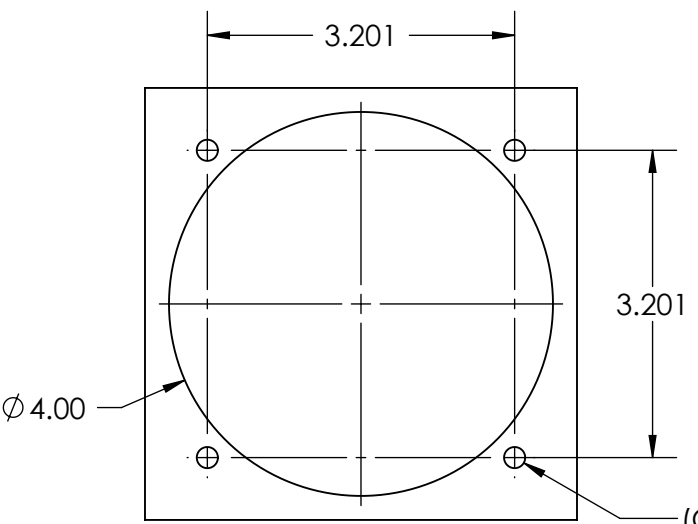
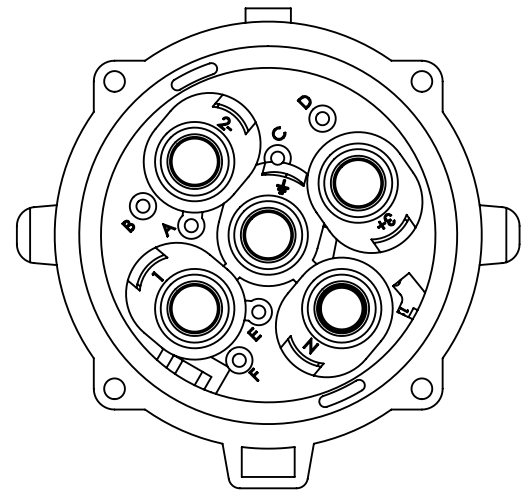
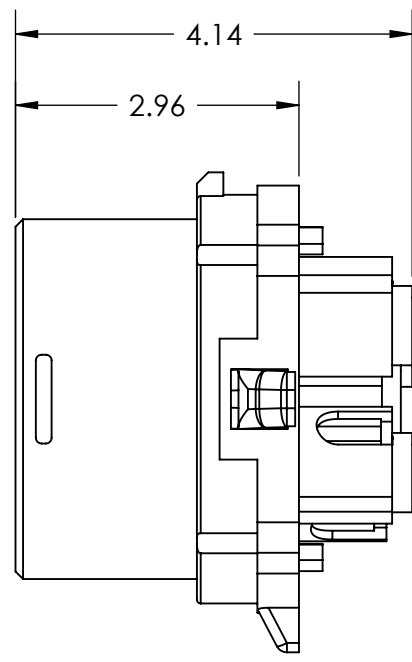
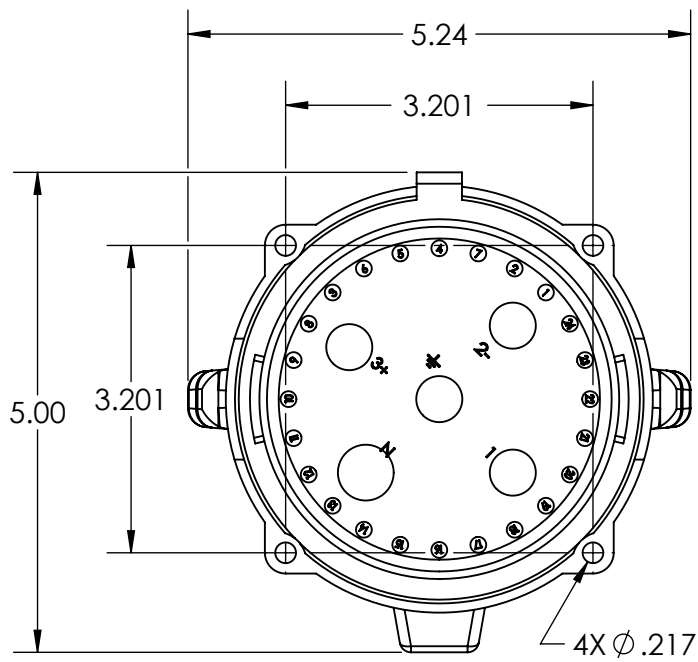
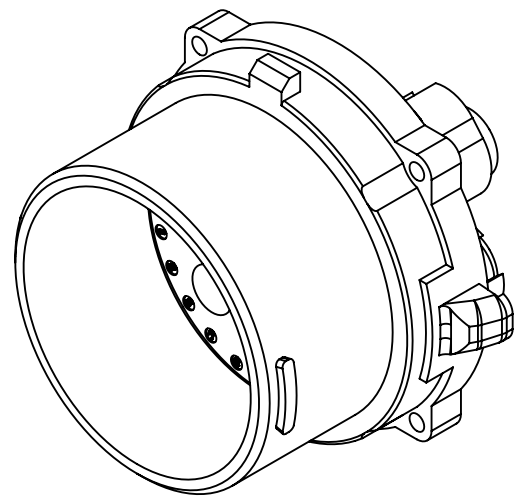


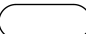
This drawing is the property of MELTRIC Corporation, Franklin (Milwaukee), Wisconsin, USA. Any unauthorized copying of this drawing by any means, ENG/RD/06 REV: 20 ISSUED DATE: 1/15/11 or disclosure of its contents to any person not authorized by MELTRIC Corporation or its agents to receive it, is strictly prohibited.



ENTRY HOLE PATTERN

4X Ø.220
(CLEARANCE FOR
10-32 HARDWARE)



TOLERANCES UNLESS OTHERWISE SPECIFIED		MELTRIC CORPORATION	
MACHINED SURFACES $\sqrt[125]{\text{MAX}}$	ENGLISH	DRAWN	APPROVED
GROUND SURFACES $\sqrt[32]{\text{MAX}}$		DRAWING TITLE: DR150 METAL INLET	
ANGLE TOLERANCE $\pm 1^\circ$	0.X ± 0.05 0.XX ± 0.01 0.XXX ± 0.005	DATE:	SCALE NTS
REMOVE BURRS & SHARP EDGES TO .015 MAX.		MATERIAL: METAL CASING	
 DIMENSIONS SHOWN IN OVALS ARE INSPECTION DIMENSIONS.		SHEET: 1 OF 1	PART NUMBER 39-98xxx-Kxx