

SURGE-TRAP® STZ-R SERIES INTERNAL SPD

SURGE PROTECTIVE DEVICE

NEMA DEVICES FOR ANSI/UL 1449 TYPE 1 AND 2 APPLICATIONS



For facility-wide surge protection internal to existing equipment such as switchgear, panelboards, or motor control centers, the Surge-Trap® Type 1 STZ-R Series is the obvious choice. The STZ-R series features surge capacities up to 450kA designed with Mersen's industry-leading TPMOV® technology inside making it the safest and most reliable product on the market. Ideal for OEMs and panel builders, this internal SPD can be installed on the line or load side of the service entrance.

FEATURES AND BENEFITS:

- SPD intended to be installed internal to existing switchgear, panelboards, motor control centers, etc.
- Available with accessory **Option A** for basic features (LED status indicators) and **Option B** for standard features (EMI/RFI filter, surge counter, Audible alarm and dry contacts)
- Local or remote human machine interface (HMI) which can be rotated 90 degrees depending on desired cable entry location
- Up to 10 Modes of Protection (L-N, L-L, L-G, N-G)
- 15-year warranty

RATINGS:

- **Volts (U_n):** 120-480VAC
- **Nominal Discharge Current Rating (I_n):** 20kA
- **Surge Capacity (per phase):** 100, 150, 200, 300, 450kA
- **Short-Circuit Current Rating (SCCR):** 200kA
- **Optional EMI/RFI Filter:** Up to -50dB from 10kHz to 100MHz

APPROVALS:

- ANSI/UL 1449 4th Edition, Type 1 SPD, File E210793
- CSA C22.2, Type 1 SPD
- ANSI/IEEE C62.41.1, C62.41.2, C62.45
- UL96A Lightning Protection
- RoHS Compliant



GENERAL PRODUCT SPECIFICATIONS

Mounting:	Mounting feet	Relative Humidity Range:	0 to 95% non-condensing
Wiring:	Wire Lugs for 6-10 AWG copper	Visual LED End-of-Life Indicator:	Green = 67 to 100% Life Yellow = 34 to 66% Life Red = 0 to 33% Life
Flammability:	UL94-5VA	Frequency:	50-60Hz
Operating & Storage Temperature:	-40°C to +85°C		

CATALOG NUMBER (INCLUDES SUFFIXES*)	SYSTEM VOLTAGE AND CONFIGURATION	I _n	MAXIMUM CONTINUOUS OPERATING VOLTAGE (MCOV, U _c)				VOLTAGE PROTECTION RATING (VPR) (UL 1449, 6kA, 3kV)			
			L-N	L-G	L-L	N-G*	L-N	L-G	L-L	N-G*
STZ240S...	240/120V Split Phase	20kA	150	150	300	150	700	700	1000	700
STZ208Y...	208/120V 3-Phase WYE	20kA	150	150	300	150	700	700	1000	700
STZ480Y...	480/277V 3-Phase WYE	20kA	320	320	640	150	1200	1200	2000	700
STZ120D...	120V 3-Phase DELTA	20kA	-	150	300	-	-	700	1000	-
STZ240D...	240V 3-Phase DELTA	20kA	-	320	640	-	-	1200	2000	-
STZ480D...	480V 3-Phase DELTA & HRG WYE	20kA	-	550	1100	-	-	1800	3000	-

*Part Number Selector [Don't see what you need? Please contact the factory.]

STZ Model Series	480Y Voltage and System Configuration	30 Surge Capacity	B Package	R Enclosure	U Disconnect
STZ	240S: 240/120V Split 120D: 120V DELTA 208Y: 208/120V WYE 480Y: 480/277V WYE 240D: 240V DELTA 480D: 480V DELTA & HRG WYE	10: 100kA 15: 150kA 20: 200kA 30: 300kA 45: 450kA	A: Basic LED Status Indicators Phase Loss Indication B: Standard LED Status Indicators Phase Loss Indication Audible Alarm Form C Dry Contacts EMI/RFI Filter Surge Counter	Q: Internal SPD without HMI R: Internal SPD with HMI	U: UL98 Switch BLANK: None

Human-Machine Interface (HMI)

Option A: Basic



Option B: Standard



Optional Form C Dry Contact and Audible Alarm
(Included with Option B)

Form C Dry Contact
125VAC, 1A Resistive
30VDC, 2A General Purpose

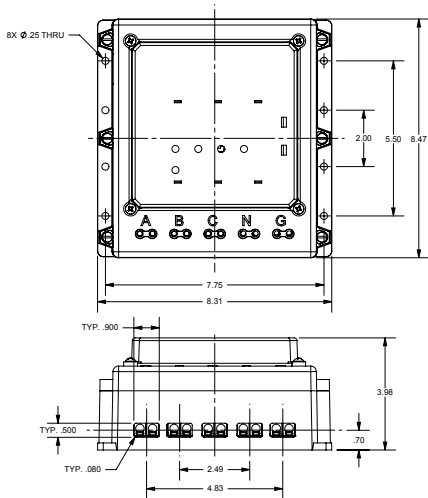
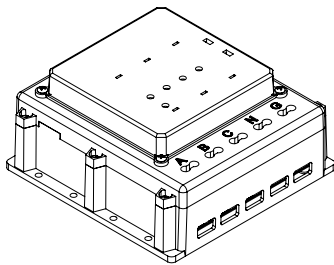
COM = Common
NO = Normally Open
NC = Normally Closed

Audible Alarm
Alarm sounds when any protection is lost.



Dimensions and Mounting Configurations

Without Disconnect Switch
12x12 Enclosure



With Disconnect Switch
16x12 Enclosure

